

532 44 55-23



Repair Parts Manual
Manual De Repuestos
YTH26V54/96043011102

Please read the operator's manual carefully and make sure you understand the instructions before using the machine.

Por favor lea cuidadosamente y comprenda estas intrucciones antes de usar esta maquina.



English/Spanish

HOW TO USE THIS MANUAL

This manual is designed to provide the customer with a means to identify the parts on his/her tractor when ordering repair parts. The illustrations may or may not represent the actual assemblies; therefore, it is not recommended to use this manual as a guide to assemble or disassemble the tractor. Some hardware and parts are drawn larger in order to more readily identify them.

Each tractor has its own model number.

The model number for your tractor can be found on the fender under the seat.

When ordering parts, always give the following information:

- Product - "TRACTOR"
- MODEL NUMBER - "YTH26V54" (96043011102)"
- Part Number
- Part Description

TABLE OF CONTENTS

SCHEMATIC	3
ELECTRICAL.....	4-5
CHASSIS	6-7
DRIVE.....	8-9
ENGINE.....	10-11
STEERING	12-13
MOWER DECK.....	14-15
MOWER LIFT.....	16
SEAT	17
DECALS.....	18

COMO UTILIZAR ESTE MANUAL

Este manual está diseñado para brindarle al comprador un medio para identificar las piezas del tractor para cuando necesite hacer el pedido de un repuesto. Las ilustraciones pueden o no representar los ensambles reales; por lo tanto, no se recomienda utilizar este manual como una guía para ensamblar o desarmar el tractor. Algunos accesorios y piezas están dibujados en tamaños más grandes para identificarlos con mayor facilidad.

Cada tractor tiene su propio número de modelo.

El número de modelo del tractor se encuentra en el guardabarros debajo del asiento.

Quando haga el pedido de una pieza, siempre brinde la siguiente información:

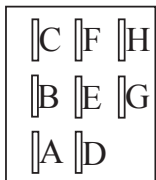
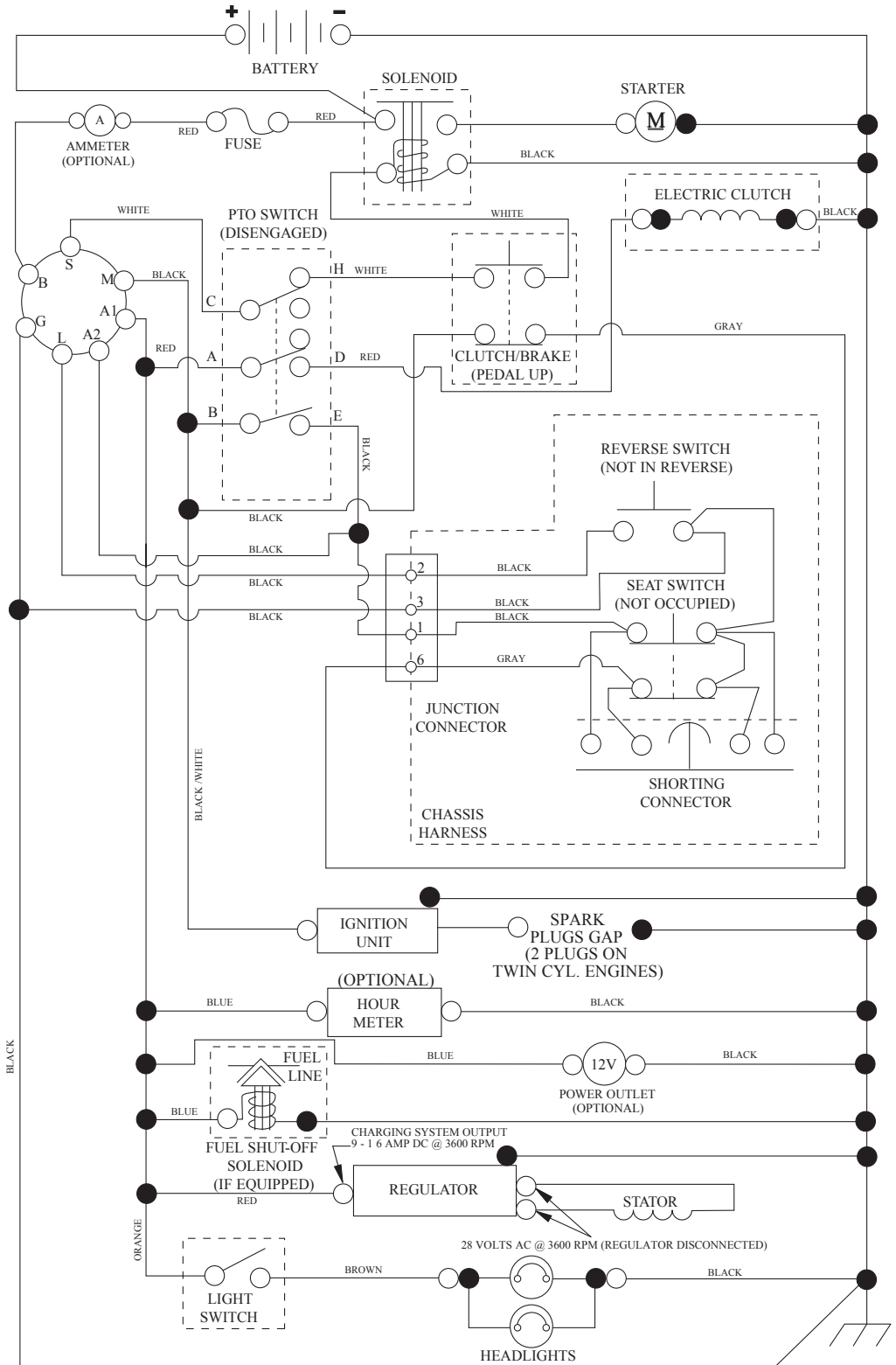
- Producto: "TRACTOR"
- NÚMERO DE MODELO: "YTH26V54" (96043011102)"
- Número de pieza
- Descripción de la pieza

ÍNDICE

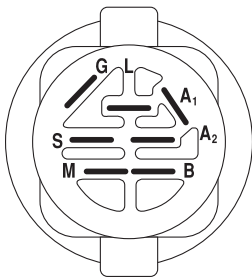
DIAGRAMA.....	19
DIAGRAMA ELÉCTRICO	20-21
CHASIS.....	22-23
TRANSMISIÓN	24-25
MOTOR	26-27
DIRECCIÓN	28-29
PLATAFORMA DE LA CORTADORA DE CÉSPED.....	30-31
ELEVACIÓN DE LA CORTADORA DE CÉSPED.....	32
ASIENTO.....	33
CALCOMANÍAS.....	34

TRACTOR - - MODEL NUMBER YTH26V54 (96043011102), PRODUCT NO. 960 43 01-11 SCHEMATIC

SCH12

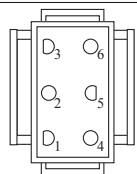


PTO SWITCH
(MATING SIDE)

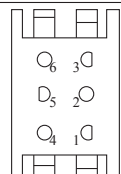


IGNITION SWITCH

POSITION	CIRCUIT	"MAKE"
OFF	M+G+A1	
RUN/OVERRIDE	B+A1	
RUN	B+A1	L+A2
START	B + S + A1	



CHASSIS HARNESS
CONNECTOR
(MATING SIDE)



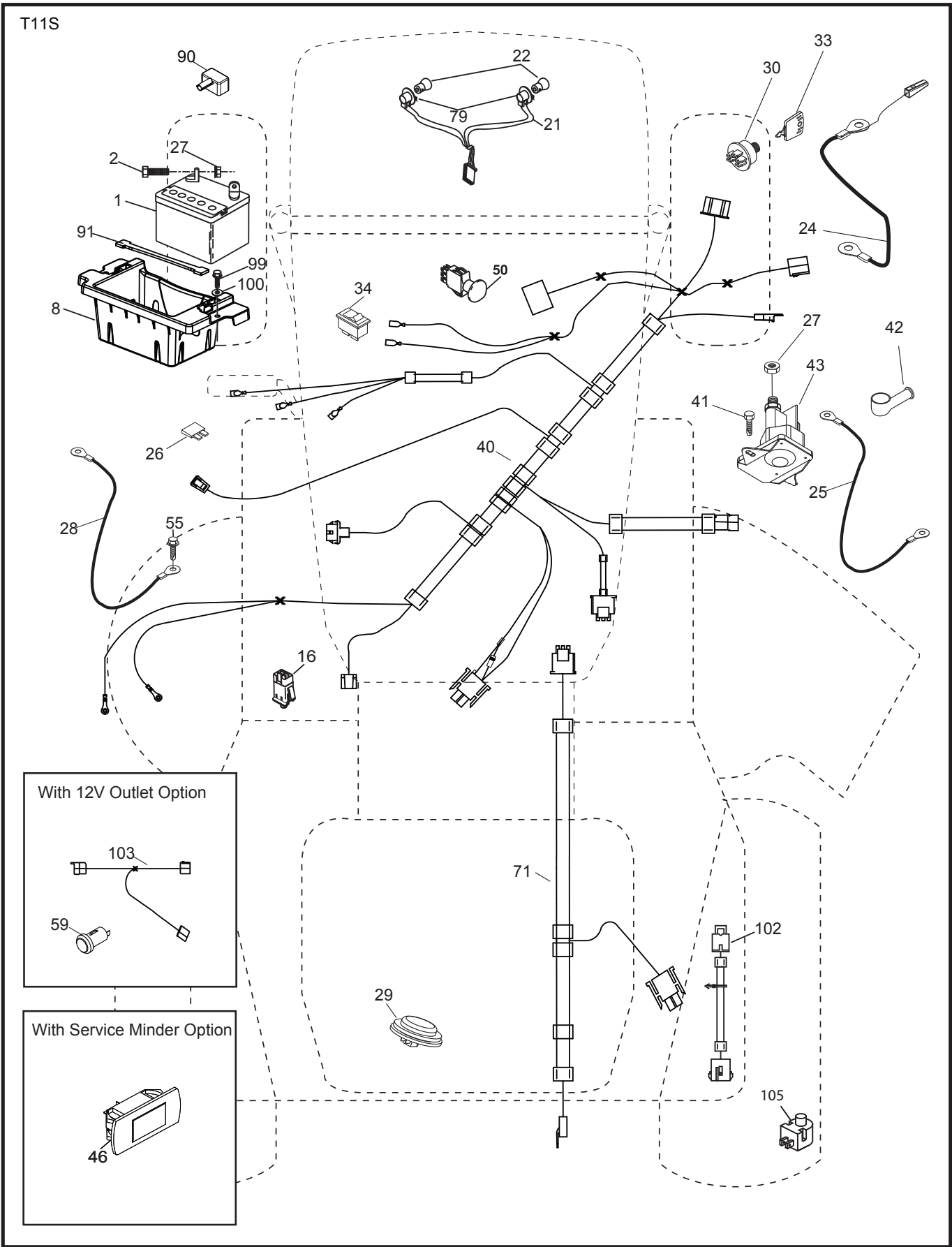
DASH HARNESS
CONNECTOR

WIRING INSULATED CLIPS
NOTE: IF WIRING INSULATED
CLIPS WERE REMOVED FOR
SERVICING OF UNIT, THEY
SHOULD BE RE-INSTALLED TO
PROPERLY SECURE YOUR
WIRING.

NON-REMOVABLE
CONNECTIONS

REMOVABLE
CONNECTIONS

**TRACTOR - - MODEL NUMBER YTH26V54 (96043011102), PRODUCT NO. 960 43 01-11
ELECTRICAL**

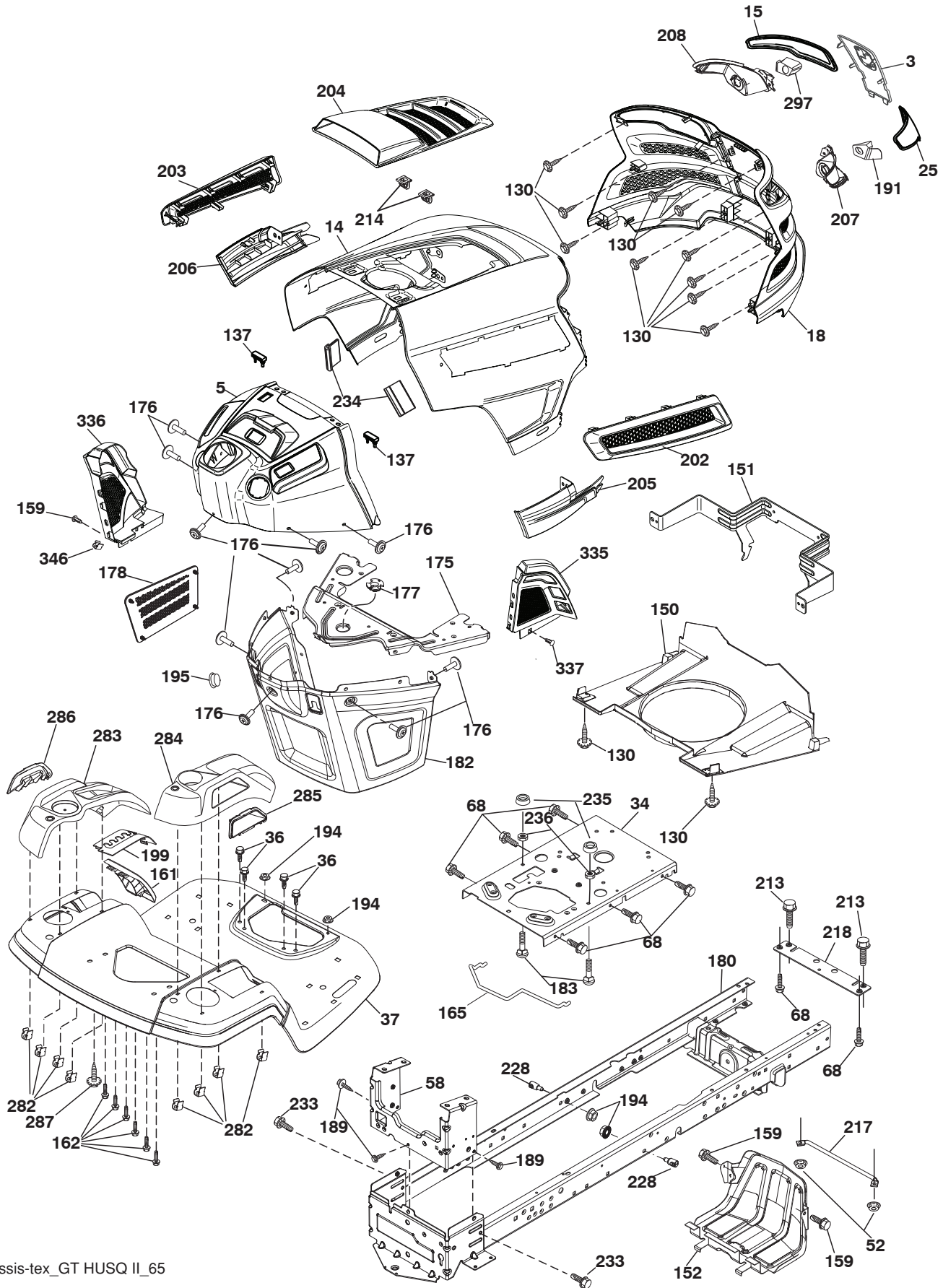


**TRACTOR - - MODEL NUMBER YTH26V54 (96043011102), PRODUCT NO. 960 43 01-11
ELECTRICAL**

KEY NO.	PART NO.	DESCRIPTION
1	532 16 34-65	Battery
2	874 76 04-12	Bolt Hex Head 1/4-20 x 3/4
8	532 18 64-91	Box Battery
16	532 17 61-38	Switch Interlock Push-In
21	532 40 02-52	Harness Socket Light w/4152J
22	532 00 41-52	Bulb Light
24	532 40 02-53	Cable Battery
25	532 41 28-95	Cable Starter
26	532 17 51-58	Fuse
27	873 51 04-00	Nut Keps Hex 1/4-20 unc
28	532 14 54-91	Cable, Ground
29	532 40 15-45	Switch, Seat
30	532 19 33-50	Switch, Ign
33	532 41 19-33	Key\Chain
34	532 11 07-12	Switch Light / Reset
40	532 40 11-04	Harness Ign. Dash
41	817 72 04-08	Screw Thd Cut 1/4-20 x 1/2
42	532 13 15-63	Cover, Terminal
43	532 19 25-07	Solenoid
46	532 40 17-63	Gauge Servicereminder Hrmtr
50	532 17 46-51	Switch PTO
55	817 06 05-12	Screw Thdrol 5/16-18 x 3/4 TYTT
71	532 19 42-76	Harness Ign. Chassis
79	532 17 52-42	Socket Asm Bulb Twistlock
90	532 43 53-95	Cover Terminal
91	532 19 02-70	Strap Battery Mount
99	817 67 04-12	Screw Hexwsh Thdrol 1/4-20 x 3/4
100	819 09 14-16	Washer 9/32 x 7/8 x 16 Ga.
102	532 40 44-54	Harness Pigtail
105	532 40 75-68	Switch Reverse TT Pedal Control

NOTE: All component dimensions given in U.S. inches
1 inch = 25.4 mm

**TRACTOR - - MODEL NUMBER YTH26V54 (96043011102), PRODUCT NO. 960 43 01-11
CHASSIS**



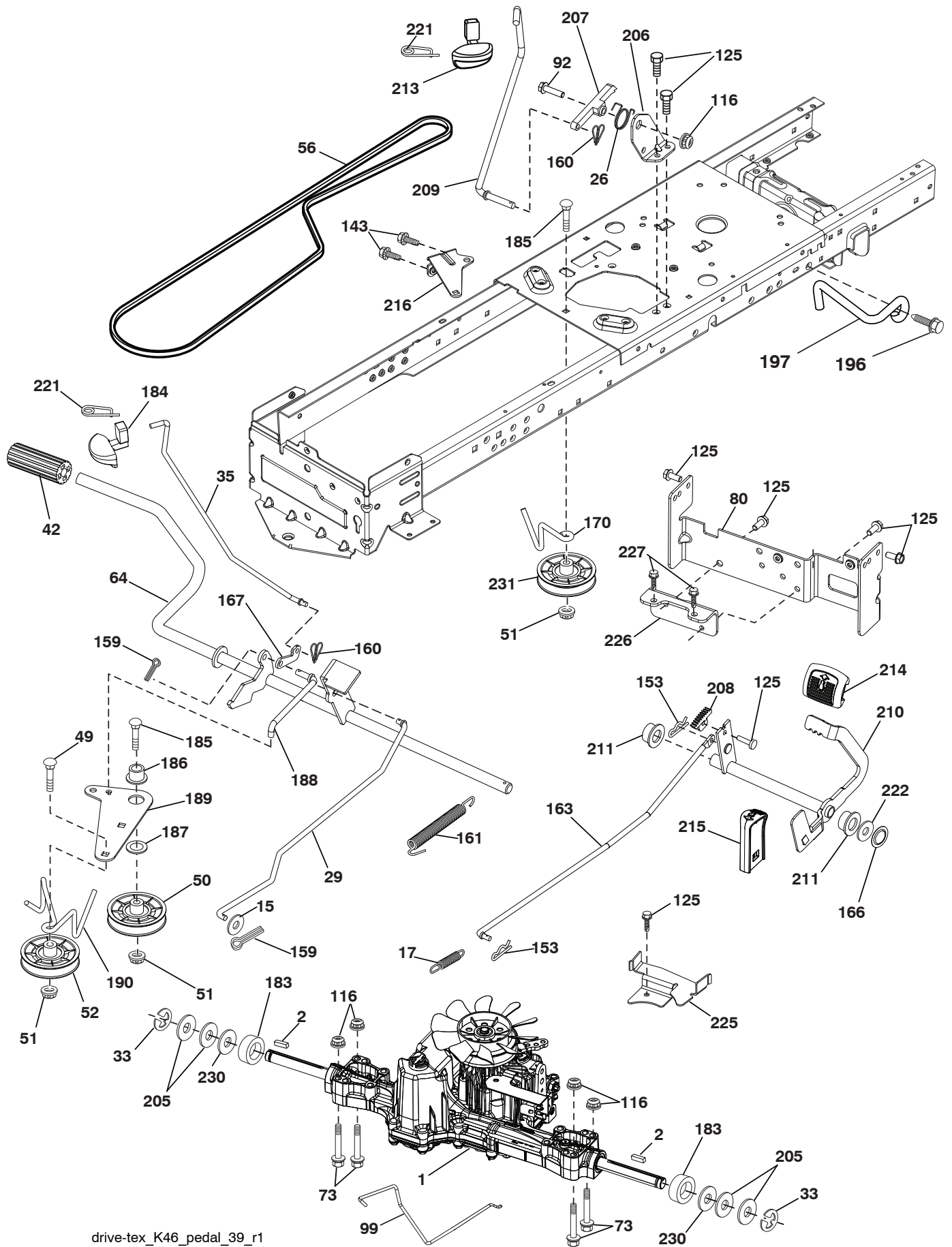
chassis-tex_GT HUSQ II_65

TRACTOR - - MODEL NUMBER YTH26V54 (96043011102), PRODUCT NO. 960 43 01-11 CHASSIS

KEY NO.	PART NO.	DESCRIPTION	KEY NO.	PART NO.	DESCRIPTION
3	532 43 97-52	Applique Subasm.	199	532 41 34-85	Plate Deck Lift
5	532 43 74-71	Dash	202	532 43 97-28	Vent Side Hood RH
14	532 44 11-77	Hood	203	532 43 97-27	Vent Side Hood LH
15	532 43 97-33	Lens LH	204	532 43 57-14	Vent Top Hood
18	532 43 77-62	Grille	205	532 43 97-30	Skirt Hood Side RH
25	532 44 33-85	Lens RH	206	532 43 97-29	Skirt Hood Side LH
34	532 19 61-25	Plate Engine	207	532 43 97-34	Bezel RH
36	817 06 05-12	Screw 5/16-18 x 3/4	208	532 43 97-35	Bezel LH
37	532 44 11-78	Fender	213	874 76 05-12	Bolt 5/16-18 unc x 3/4
52	873 68 05-00	Nut Lock 5/16-18	214	532 19 91-45	Clip Retainer Tinner
58	532 41 22-80	Drawbar Upper	217	532 40 91-67	Rod Pivot
68	817 49 05-08	Screw 5/16-18 x 1/2	218	532 19 63-95	X-Piece Hood Stop
130	532 41 63-58	Screw #10 x 0.750 BOS Thread	228	532 19 51-61	Stud Fastner
137	532 40 75-90	Bumper Dash	233	532 19 65-39	Bolt Shoulder
150	532 43 97-74	Air Duct	234	532 40 47-42	Bumper Hood
151	532 43 66-70	Pivot Bracket	235	532 40 61-29	Spacer Fender
152	532 43 60-86	Shield Browning	236	873 93 05-00	Nut Lock 5/16-18 unc
159	817 00 06-12	Screw 3/8-16 x 3/4	282	532 41 41-10	Clip Retainer Console
161	532 43 97-81	Window Fuel	283	532 43 98-61	Console Asm. Decklift
162	532 14 24-32	Screw	284	532 43 98-23	Console Asm.
165	532 19 68-26	Support Tank Rear	285	532 41 63-15	Console Insert RH
175	532 19 63-04	Crossmember	286	532 41 63-17	Console Insert LH
176	532 40 07-76	Screw 10-24 x 5/8	287	817 60 04-06	Screw Hex Washhead 1/4-20 x 3/8
177	532 19 52-27	Bushing Steering	297	532 43 74-56	Insert Reflective LH
178	532 19 97-82	Cargo Net Asm.	335	532 43 98-47	Cover Lower Dash RH
180	532 41 50-63	Chassis	336	532 44 53-09	Cover Lower Dash LH
182	532 40 68-59	Dash Lower	337	532 43 81-37	Clip Xmas tree
183	874 52 05-20	Bolt 5/16-18 x 1-1/4	346	532 12 64-71	Clip Insulator
189	817 00 05-12	Screw 5/16-18 x 3/4			
191	532 43 74-55	Insert Reflective RH			
194	873 90 05-00	Nut Lock Hex Flange 5/16-18			
195	532 40 41-37	Plug Hole Dash			

NOTE: All component dimensions given in U.S. inches
1 inch = 25.4 mm

**TRACTOR - - MODEL NUMBER YTH26V54 (96043011102), PRODUCT NO. 960 43 01-11
DRIVE**



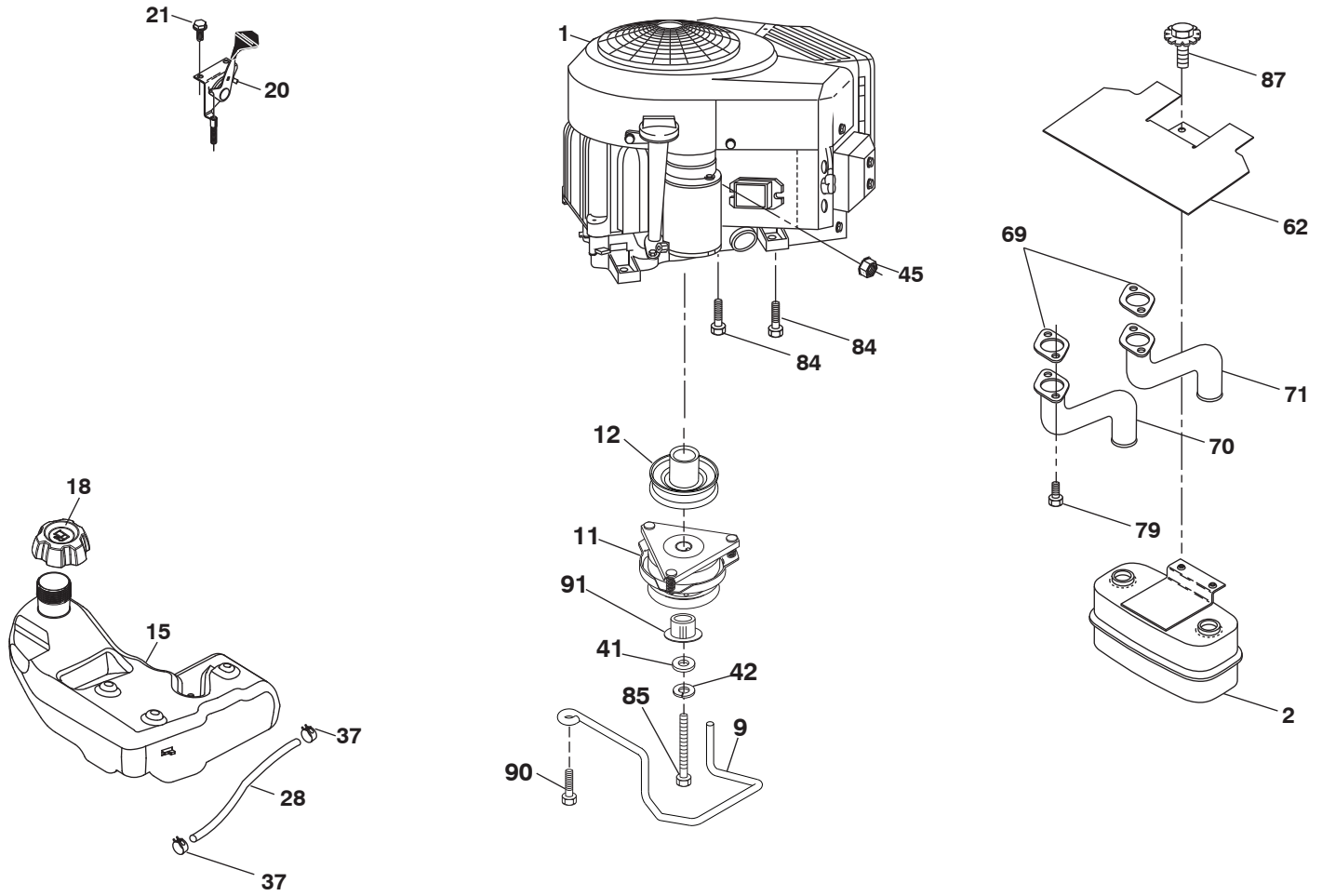
drive-tex_K46_pedal_39_r1

TRACTOR - - MODEL NUMBER YTH26V54 (96043011102), PRODUCT NO. 960 43 01-11 DRIVE

KEY NO.	PART NO.	DESCRIPTION	KEY NO.	PART NO.	DESCRIPTION
1	---	Transaxle, TUFFTORQ K46BT (426120) (Order parts from transaxle manufacturer)	183	532 13 70-57	Spacer Split
2	532 12 35-83	Key	184	532 44 14-55	Handle Parking Brake
15	819 13 13-16	Washer 13/32 x 13/16 x 16 Ga.	185	872 11 06-22	Bolt Rdhd Sqnk 3/8-16 x 2-3/4 Gr. 5
17	532 41 36-78	Spring, Brake	186	532 19 43-21	Spacer Retainer
26	532 19 96-79	Spring Return Cruise	187	819 13 32-10	Washer
29	532 40 38-06	Rod, Brake	188	532 19 43-23	Link Clutch Ground Drive
33	812 00 00-01	Ring E	189	532 19 43-17	Bellcrank Ground Drive
35	532 43 54-86	Rod, Brake, Park	190	532 19 43-18	Keeper Bellcrank Ground Drive
42	532 12 48-72	Cover, Foot Pedal	196	817 00 06-16	Screw 3/8-16 x 1
49	872 11 06-14	Bolt	197	532 19 58-04	Bracket Clutch Anti-Rotation
50	532 19 43-27	Pulley Idler Flat	205	532 12 17-48	Washer
51	873 90 06-00	Lock Nut 3/8-16	206	532 19 78-67	Bracket Mount Latch Cruise
52	532 19 43-26	Idler V-Groove 910" Offset	207	532 19 78-68	Latch Control Cruise
56	532 13 09-69	V-Belt, Drive	208	532 19 78-69	Gear Sector Control Cruise
64	532 19 78-65	Shaft Asm. Pedal Brake Control	209	532 19 95-92	Rod Control Cruise
73	874 49 05-40	Bolt Hex Flghd 5/16-18 x 2.1/2 G5	210	532 40 09-80	Rocker Asm. Pedal Control
80	532 44 06-19	Bracket Strap Torque	211	532 12 01-83	Bearing Nylon
92	874 76 05-20	Bolt Fin Hex 5/16-18 unc x 1.25	213	532 40 31-19	Knob Control Cruise
99	532 41 57-42	Rod Spring Bypass	214	532 42 12-63	Pedal Forward
116	873 90 05-00	Nut Lock Hex Flange 5/16-18	215	532 40 17-23	Pedal Reverse
125	817 00 05-12	Screw 5/16-18 x 3/4	216	532 19 61-31	Bracket Pulley Idler
143	817 49 05-08	Screw 5/16-18 x 1/2	221	532 40 31-87	Retainer Spring Clip Handle
153	532 12 47-88	Retainer Spring	222	879 21 20-10	Washer 21/32 x 1-1/4 x 10 Ga.
159	876 02 04-12	Pin Cotter 1/8 x 3/4	225	532 40 33-19	Keeper Belt Trans.
160	532 16 94-84	Retainer Clip	226	532 40 15-64	Bracket Mount Touque
161	532 10 57-09	Spring, Return, Clutch	227	817 49 05-12	Screw 5/16-18 x 3/4
163	532 40 10-34	Rod Pedal Control	230	532 18 89-67	Washer Hardened
166	532 42 91-64	Nut Push	231	532 40 72-87	Idler V-Groove
167	532 40 52-57	Latch Brake Parking			
170	532 41 34-30	Keeper Belt Centerspan			

NOTE: All component dimensions given in U.S. inches
1 inch = 25.4 mm

**TRACTOR - - MODEL NUMBER YTH26V54 (96043011102), PRODUCT NO. 960 43 01-11
ENGINE**



29

SPARK ARRESTER KIT

engine-tex_bs-2cyl_77

**TRACTOR - - MODEL NUMBER YTH26V54 (96043011102), PRODUCT NO. 960 43 01-11
ENGINE**

KEY NO.	PART NO.	DESCRIPTION
1	- - - - -	Engine Briggs & Stratton Model No. 44P777-2448-G1 (438239) (Order parts from engine manufacturer)
2	532 14 97-23	Muffler
9	532 19 43-20	Keeper Belt Engine
11	532 40 00-08	Clutch
12	532 40 50-97	Pulley Engine
15	532 43 80-80	Tank Fuel
18	532 43 92-08	Cap Asm Fuel
20	532 42 35-02	Control Throttle/Choke
21	532 41 63-58	Screw #10 x .750 BOS Thread
28	532 40 11-35	Fuel Line
29	532 13 71-80	Spark Arrester Kit
37	532 12 34-87	Clamp Hose
41	532 12 61-97	Washer 1-1/2 OD x 15/32 ID x .250
42	810 04 07-00	Washer Lock 7/16
45	873 51 04-00	Nut Keps Hex 1/4-20 unc
62	532 43 40-17	Heat Shield
69	532 16 53-91	Gasket
70	532 15 99-55	Exhaust Tube LH
71	532 16 05-89	Exhaust Tube RH
79	532 18 39-06	Screw Socket Head 5/16-18 x1
84	817 06 06-20	Screw 3/8-16 x 1-1/4
85	532 17 39-37	Bolt Hex 7/16-20 x 4 x Gr. 5-1.5 Thr
87	537 17 18-77	Bolt 5/16-18 unc x 3/4 w/Sems
90	817 00 06-16	Screw 3/8-16 x 1
91	532 18 74-95	Bushing

NOTE: All component dimensions given in U.S. inches
1 inch = 25.4 mm

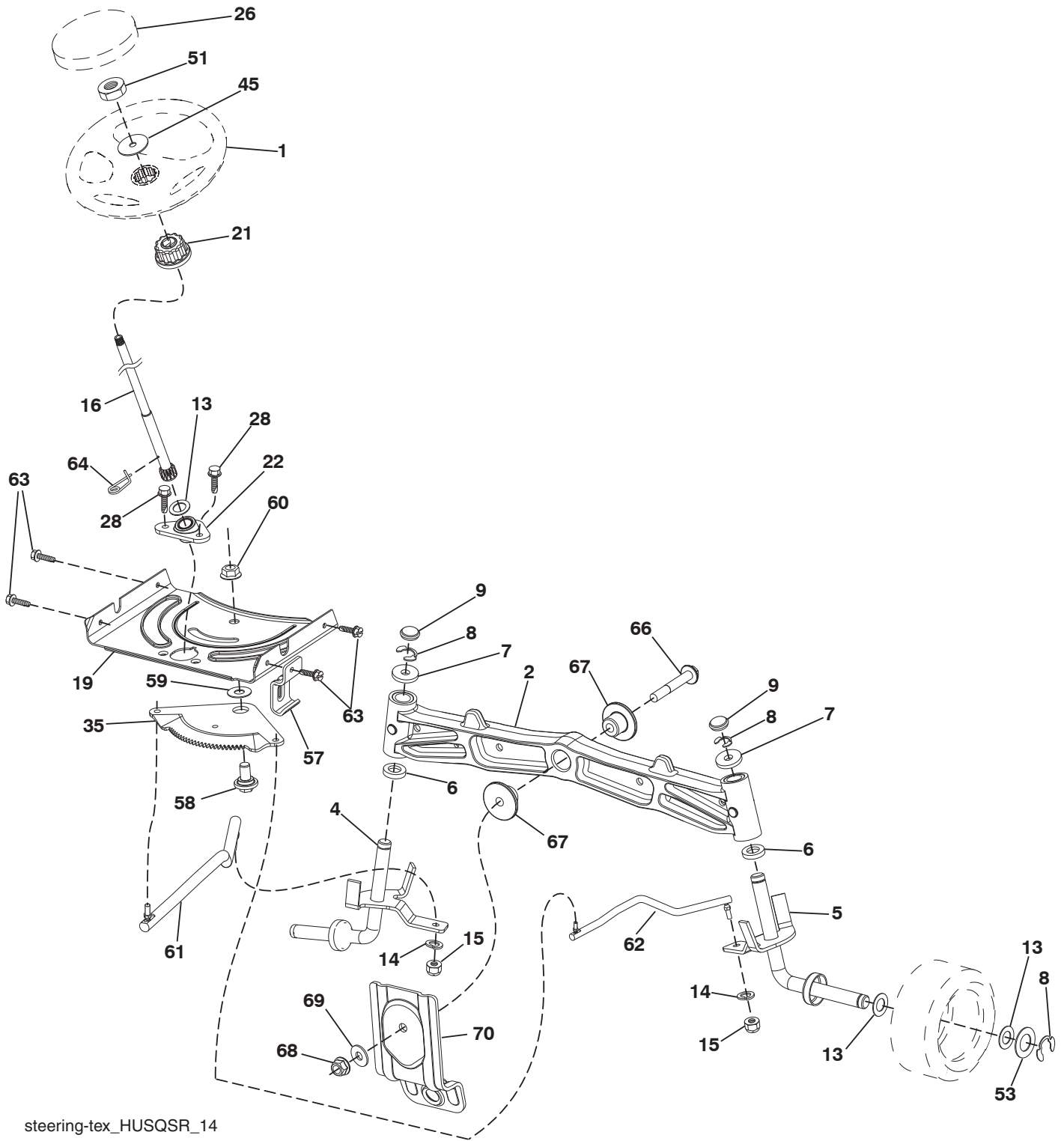
For engine service and replacement parts, call the toll free number for your engine manufacturer listed below:

Briggs & Stratton 1-800-233-3723

Engine Power Rating Information

The gross power rating for individual gas engine models is labeled in accordance with SAE (Society of Automotive Engineers) code J1940 (Small Engine Power & Torque Rating Procedure), and rating performance has been obtained and corrected in accordance with SAE J1995 (Revision 2002-05). Torque values are derived at 3060 RPM; horsepower values are derived at 3600 RPM. Actual gross engine power will be lower and is affected by, among other things, ambient operating conditions and engine-to-engine variability. Given both the wide array of products on which engines are placed and the variety of environmental issues applicable to operating the equipment, the gas engine will not develop the rated gross power when used in a given piece of power equipment (actual “on-site” or net power). This difference is due to a variety of factors including, but not limited to, accessories (air cleaner, exhaust, charging, cooling, carburetor, fuel pump, etc.), application limitations, ambient operating conditions (temperature, humidity, altitude), and engine-to-engine variability. Due to manufacturing and capacity limitations, Briggs & Stratton may substitute an engine of higher rated power for this Series engine.

**TRACTOR - - MODEL NUMBER YTH26V54 (96043011102), PRODUCT NO. 960 43 01-11
STEERING ASSEMBLY**



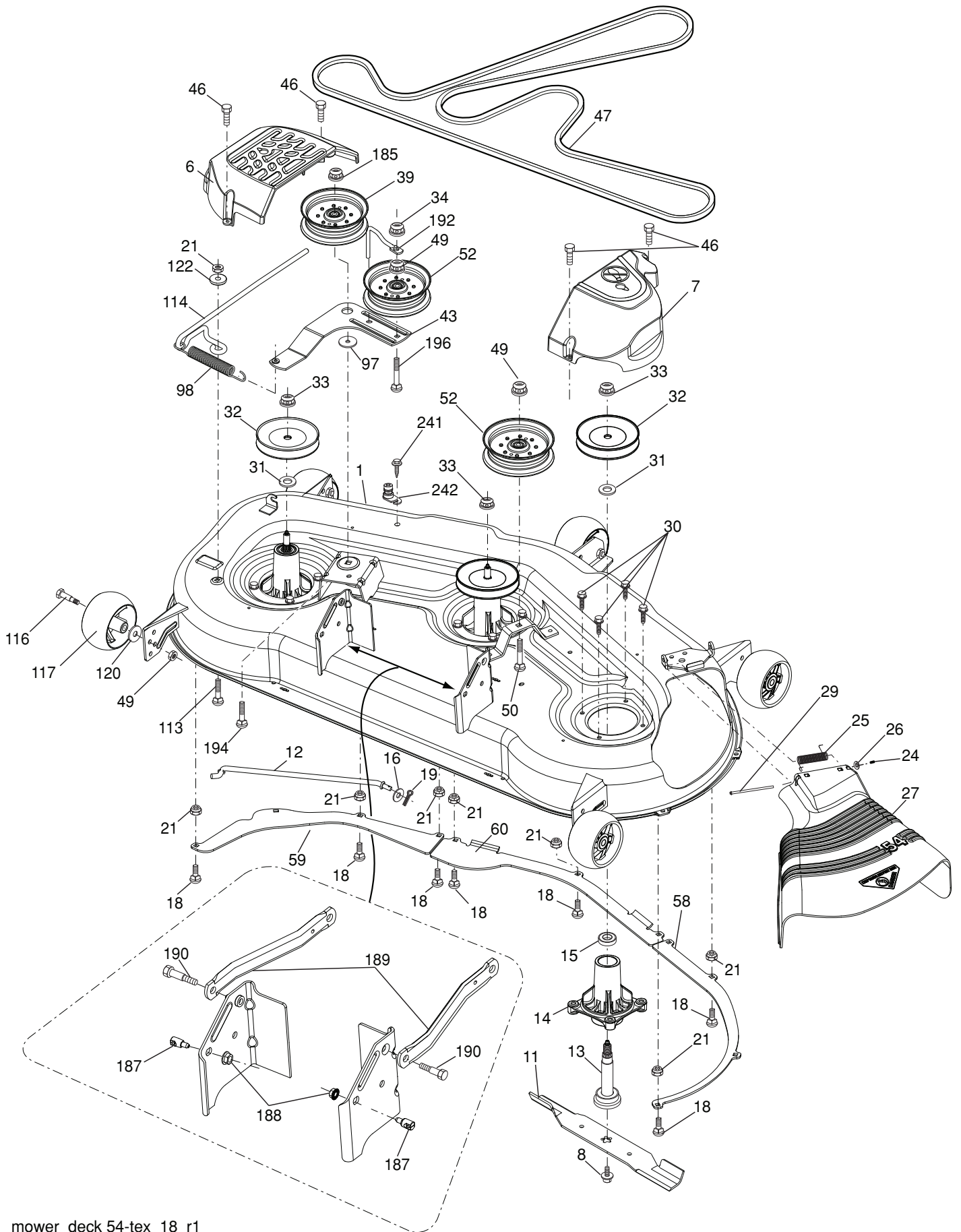
steering-tex_HUSQSR_14

**TRACTOR - - MODEL NUMBER YTH26V54 (96043011102), PRODUCT NO. 960 43 01-11
STEERING ASSEMBLY**

KEY NO.	PART NO.	DESCRIPTION
1	532 43 97-40	Wheel, Steering
2	532 19 59-68	Axle Asm., Front
4	532 40 30-87	Spindle Asm., LH
5	532 40 30-88	Spindle Asm., RH
6	532 12 49-31	Bearing, Race Thrust Harden
7	532 12 17-48	Washer 25/32 x 1-5/8 x 16 Ga.
8	812 00 00-29	Ring, Klip #T5304-75
9	532 12 12-32	Cap, Spindle
13	532 12 17-49	Washer 25/32 x 1-1/4 x 16 Ga.
14	810 04 06-00	Washer, Lock Hvy Hicl Spr 3/8
15	873 54 06-00	Nut, Crown Lock 3/8-24 unf
16	532 40 82-19	Shaft Steering
19	532 19 47-29	Plate Steering
21	532 18 67-37	Adapter, Wheel Steering
22	532 42 05-37	Strg. Supt. Lower
26	532 43 97-43	Insert, Wheel Steering
28	817 00 06-12	Screw 3/8-16 x 3/4
35	532 19 47-32	Gear, Sector Plate
45	819 18 38-12	Washer 9/16 ID x 2-3/8 OD 12 Ga.
51	873 94 08-00	Nut Hex Jam Toplock 1/2-20 unf
53	532 18 89-67	WasherHardened.793x1.637x.060
57	532 40 74-65	Bracket Upstop
58	532 19 47-47	Bolt Shoulder Sector Pivot CFM
59	532 19 47-48	Washer Thrust Sector Steering
60	873 97 10-00	Nut Flange Lock 5/8-11
61	532 19 47-40	Draglink LH
62	532 19 47-41	Draglink, RH
63	817 00 05-12	Screw 5/16-18 x 3/4
64	532 19 98-49	Retainer Clip Spring Steering
66	871 02 07-48	Bolt Hex Fghd 7/16-14 x 3 Serr
67	532 19 47-37	Bushing PM Front Axle
68	873 90 07-00	Nut Lock Flange 7/16-14 Gr. 5
69	532 19 91-62	Washer 1.5 x .505 x .118
70	532 19 61-97	Bracket Deck Susp. Front

NOTE: All component dimensions given in U.S. inches
1 inch = 25.4 mm

TRACTOR - - MODEL NUMBER YTH26V54 (96043011102), PRODUCT NO. 960 43 01-11
MOWER DECK



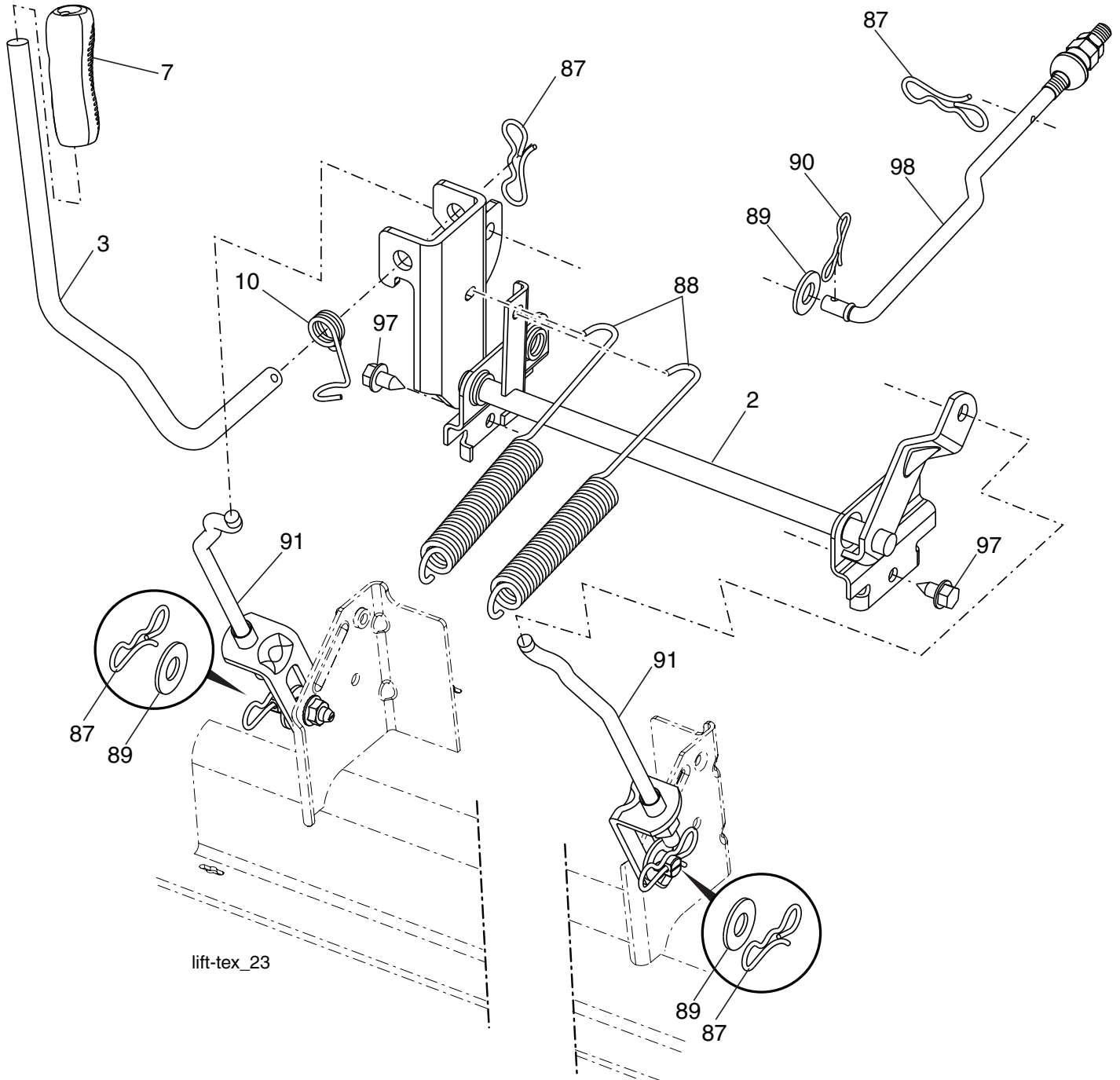
mower_deck 54-tex_18_r1

**TRACTOR - - MODEL NUMBER YTH26V54 (96043011102), PRODUCT NO. 960 43 01-11
MOWER DECK**

KEY NO.	PART NO.	DESCRIPTION	KEY NO.	PART NO.	DESCRIPTION
1	532 44 15-47	Deck Weldment Mower	59	532 18 73-44	Baffle Left
6	532 19 60-66	Cover Mandrel LH	60	532 18 76-07	Baffle Center
7	532 19 71-81	Cover Mandrel RH	97	532 17 85-15	Washer Hardened
8	532 19 30-03	Bolt 7/16 Asm. Blade	98	532 19 61-05	Spring Drive
11	532 18 72-56	Blade Bagging	113	872 11 05-08	Bolt Carr. 5/16-18 unc x1
12	532 40 48-51	Rod Anti Sway	114	532 18 75-56	Rod Tension Relief
13	532 18 72-91	Shaft Asm. w/Lower Bearing	116	532 19 34-06	Bolt, Shoulder
14	532 18 72-81	Housing, Mandrel	117	532 17 48-73	Gauge Wheel
16	819 13 13-12	Washer 3/8	120	819 13 20-12	Washer 13/32 x 1-1/4 x 12 Ga.
15	532 11 04-85	Bearing, Ball, Mandrel	122	532 18 75-57	Bushing Tension Relief
18	872 14 05-05	Bolt Carriage 5/16-18 x 5/8	185	873 90 07-00	Nut Lock Flange 7/16-14 Gr. 5
19	532 19 42-08	Pin Cotter 5/16 Bowtie	187	532 19 51-61	Stud Fastener w/"D" Anti-Rotation
21	873 68 05-00	Nut, Crownlock 5/16-18 unc	188	873 90 05-00	Nut Lock Hex Flange 5/16-18
24	532 10 53-04	Cap Sleeve	189	532 19 51-85	Arm Susp. Mower Rear
25	532 17 81-02	Spring, Torsion	190	532 19 65-39	Bolt Shoulder
26	532 11 04-52	Nut, Push	192	532 19 84-68	Keeper Belt Idler
27	532 18 89-38	Deflector Shield	194	874 49 07-36	Bolt Hex Washer Head 7/16-24
29	532 13 14-91	Rod, Hinge	196	872 14 06-20	Bolt Rdhd 3/8-16 x 2-1/2 Gr. 5
30	532 17 39-84	Screw, Thdroll Washer Head	241	532 15 29-27	Screw TT #10-32.5. 3/8 Flange
31	532 18 76-90	Washer, Spacer Mower Vented	242	532 41 55-98	Port Washout
32	532 15 35-35	Pulley, Mandrel	--	532 18 72-92	Mandrel Asm. Service Mandre- lAssembly (Includes housing, shaft assembly, and bearing only - pulley/nut/washer and blade bolt/washers not included)
33	532 40 02-34	Nut, Flg. Top Lock	--	532 19 93-00	Replacement Mower, Complete
34	873 68 06-00	Nut Crownlock 3/8-16 unc			
39	532 19 73-80	Pulley, Idler, 4.50			
43	532 19 60-65	Arm, Idler			
46	532 13 77-29	Screw, Thdroll. 1/4-20 x 5/8			
47	532 19 61-03	Belt Deck Drive			
49	873 90 06-00	Nut, Lock Flg. 3/8-16 unc			
50	872 11 06-16	Bolt Rdhd Sqnk 3/8-16 unc x 2			
52	532 19 73-79	Pulley Idler			
58	532 18 73-42	Baffle Right			

NOTE: All component dimensions given in U.S. inches
1 inch = 25.4 mm

**TRACTOR - - MODEL NUMBER YTH26V54 (96043011102), PRODUCT NO. 960 43 01-11
MOWER LIFT**

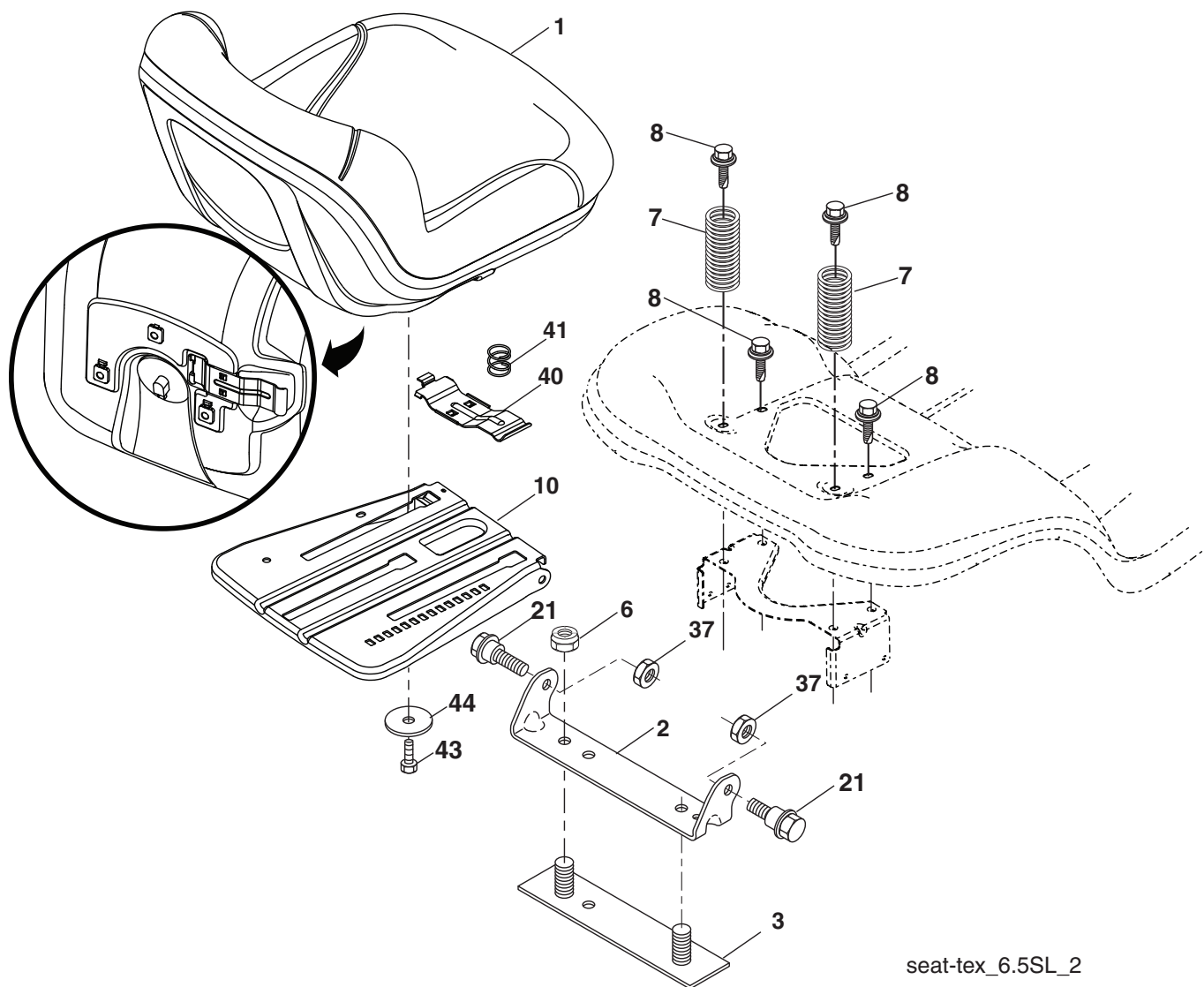


KEY NO.	PART NO.	DESCRIPTION
2	532 42 20-27	Shaft Asm., Lift
3	532 19 52-31	Lever Lift Handle
7	532 41 15-55	Grip, Lever
10	532 19 63-14	Spring Torsion
87	532 19 42-09	Pin Cotter 7/16 Bow Tie Lock
88	532 41 07-10	Spring Lift Assist
89	819 19 19-12	Washer Clear Zinc

KEY NO.	PART NO.	DESCRIPTION
90	532 19 42-08	Pin Cotter 5/16 Bow Tie Lock
91	532 40 34-07	Link Lift Susp Mower Rear
97	817 00 06-12	Screw 3/8-16 x 3/4
98	532 19 52-64	Link Asm. Susp. Front Mower

NOTE: All component dimensions given in U.S. inches
1 inch = 25.4 mm

**TRACTOR - - MODEL NUMBER YTH26V54 (96043011102), PRODUCT NO. 960 43 01-11
SEAT ASSEMBLY**



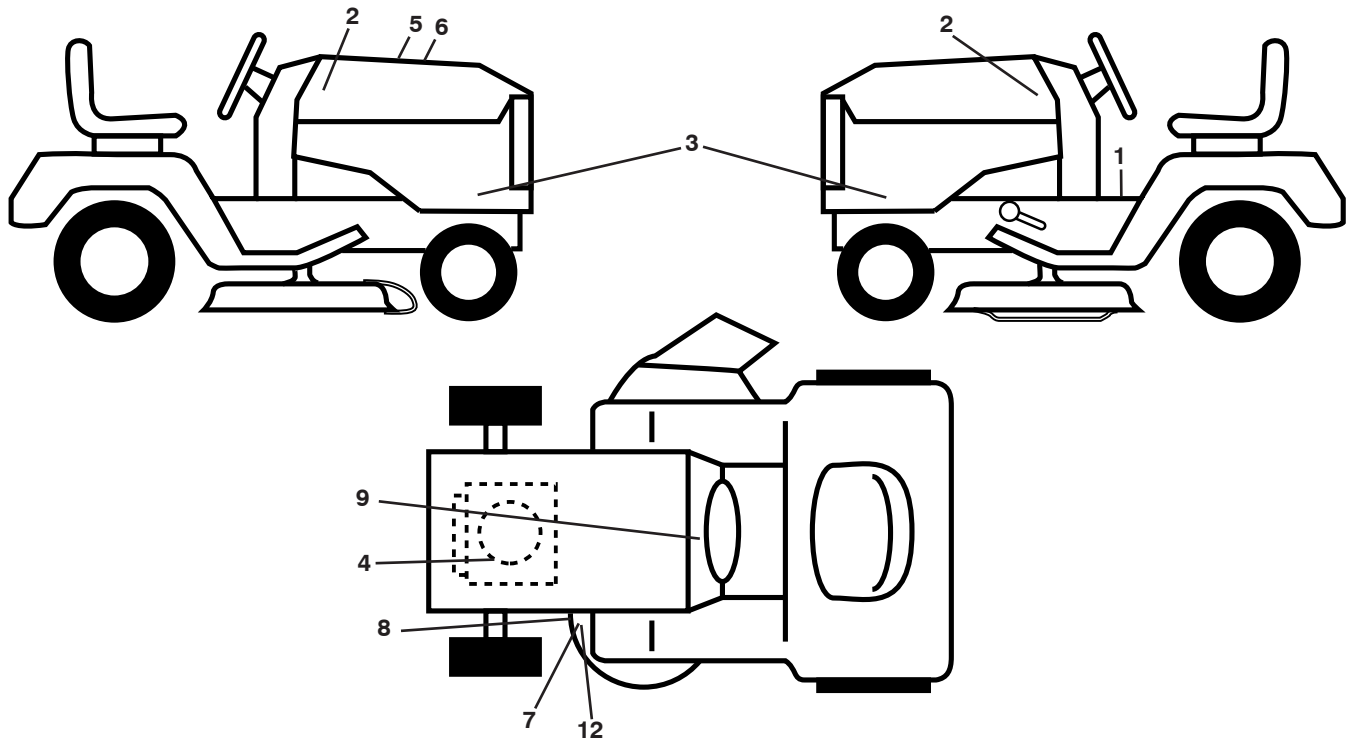
seat-tex_6.5SL_2

KEY NO.	PART NO.	DESCRIPTION
1	532 43 98-22	Seat
2	532 18 01-66	Bracket Pivot Fender
3	532 14 06-75	Strap, Asm Fender
6	873 80 06-00	Nut, Lock W/Ins. 3/8-16 unc
7	532 12 41-81	Spring, Seat Cprsn
8	532 17 18-77	Bolt 5/16-18 unc x 3/4 w/Sems
10	532 19 69-77	Pan, Seat
21	532 17 18-52	Bolt, Shoulder 5/16-18

KEY NO.	PART NO.	DESCRIPTION
37	873 80 05-00	Nut, Lock 5/16-18 unc
40	532 19 76-61	Handle Slide Seat
41	532 19 82-00	Spring Latch Seat
43	874 76 06-12	Bolt Fin Hex 3/8-16 unc x 3/4
44	819 13 38-12	Washer 13/32 x 2-3/8 x 12 Ga.

NOTE: All component dimensions given in U.S. inches
1 inch = 25.4 mm

**TRACTOR - - MODEL NUMBER YTH26V54 (96043011102), PRODUCT NO. 960 43 01-11
DECALS**



KEY NO.	PART NO.	DESCRIPTION	KEY NO.	PART NO.	DESCRIPTION
1	532 41 16-57	Decal, Operators	12	532 19 87-85	Decal, Mower V-Belt Schematic
2	532 42 91-96	Decal, Badge	--	532 16 69-60	Decal, Bypass
3	532 44 05-69	Decal, Panel SD	--	532 43 96-81	Pad, Footrest, LH
4	532 43 50-97	Decal, Eng. HP	--	532 43 96-82	Pad, Footrest, RH
5	532 42 38-29	Decal, Customer Respons.	--	532 44 55-22	Manual, Operator's (English/Spanish)
6	532 43 84-80	Decal, Replacement	--	532 44 55-23	Manual, Repair Parts (English/Spanish)
7	532 17 05-63	Decal, Mower Caution			
8	532 17 84-55	Decal, Mower Caution			
9	532 14 50-05	Decal, Battery Dnge/Poi			

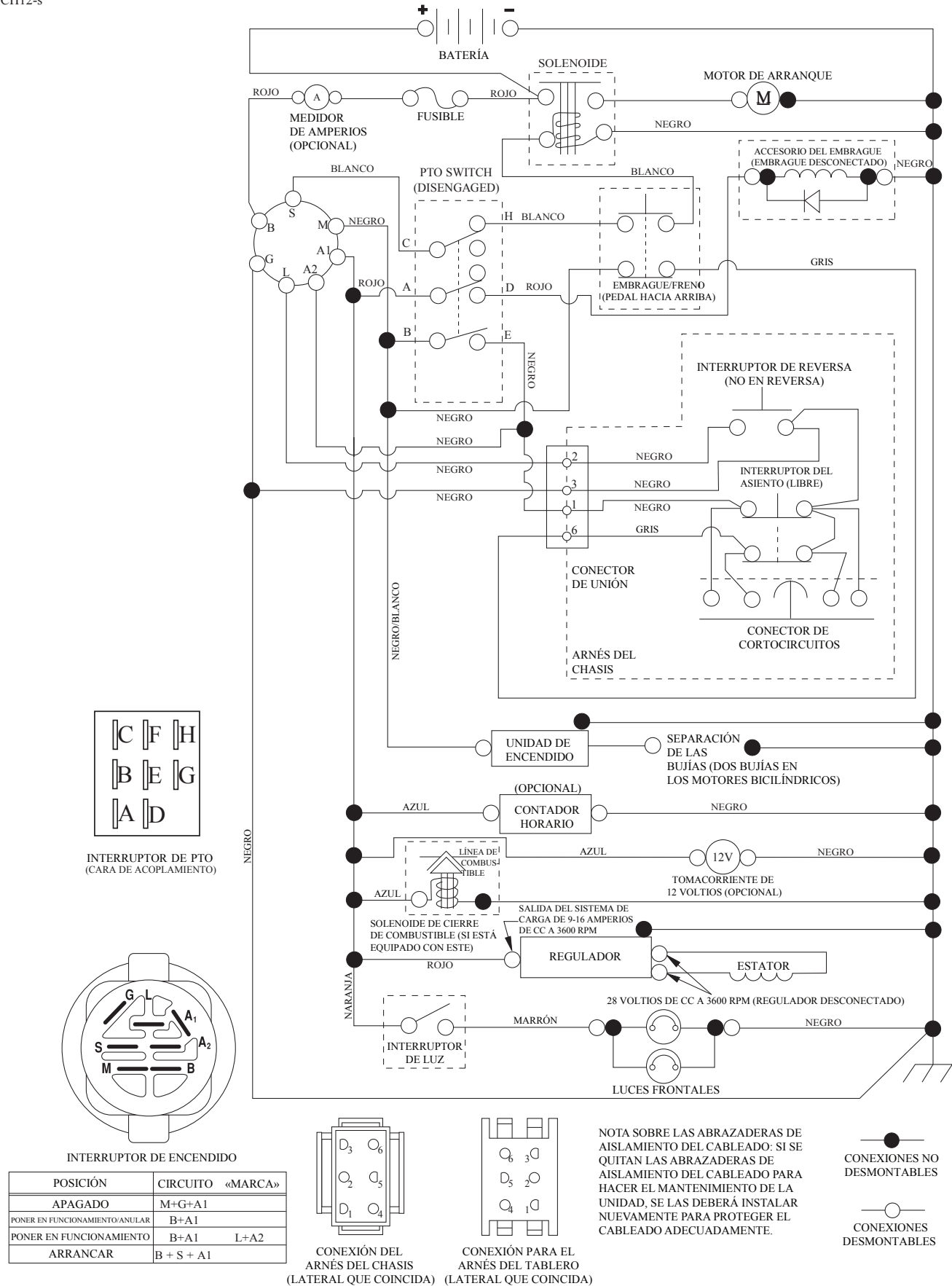
WHEELS AND TIRES

KEY NO.	PART NO.	DESCRIPTION
1	532 05 91-92	Cap Valve Tire
2	532 06 51-39	Stem Valve
3	532 13 83-36	Rim Front Service
4	532 05 99-04	Tube Front (Service Item Only)
5	532 10 62-22	Tire TM Front 15 x 6.00-6
6	532 12 49-57	Fitting Grease (Front Wheel Only)
7	532 12 49-59	Bearing Flange (Front Wheel Only)
8	532 17 50-39	Cap Axle Blk 1 50 x 1 00
9	532 13 84-68	Tire TM Rear 30 x 10.00-8
10	532 12 49-26	Tube Rear (Service Item Only)
11	532 13 83-37	Rim Asm 8" rear Service
--	532 14 43-34	Sealant, Tire (10 oz. Tube)

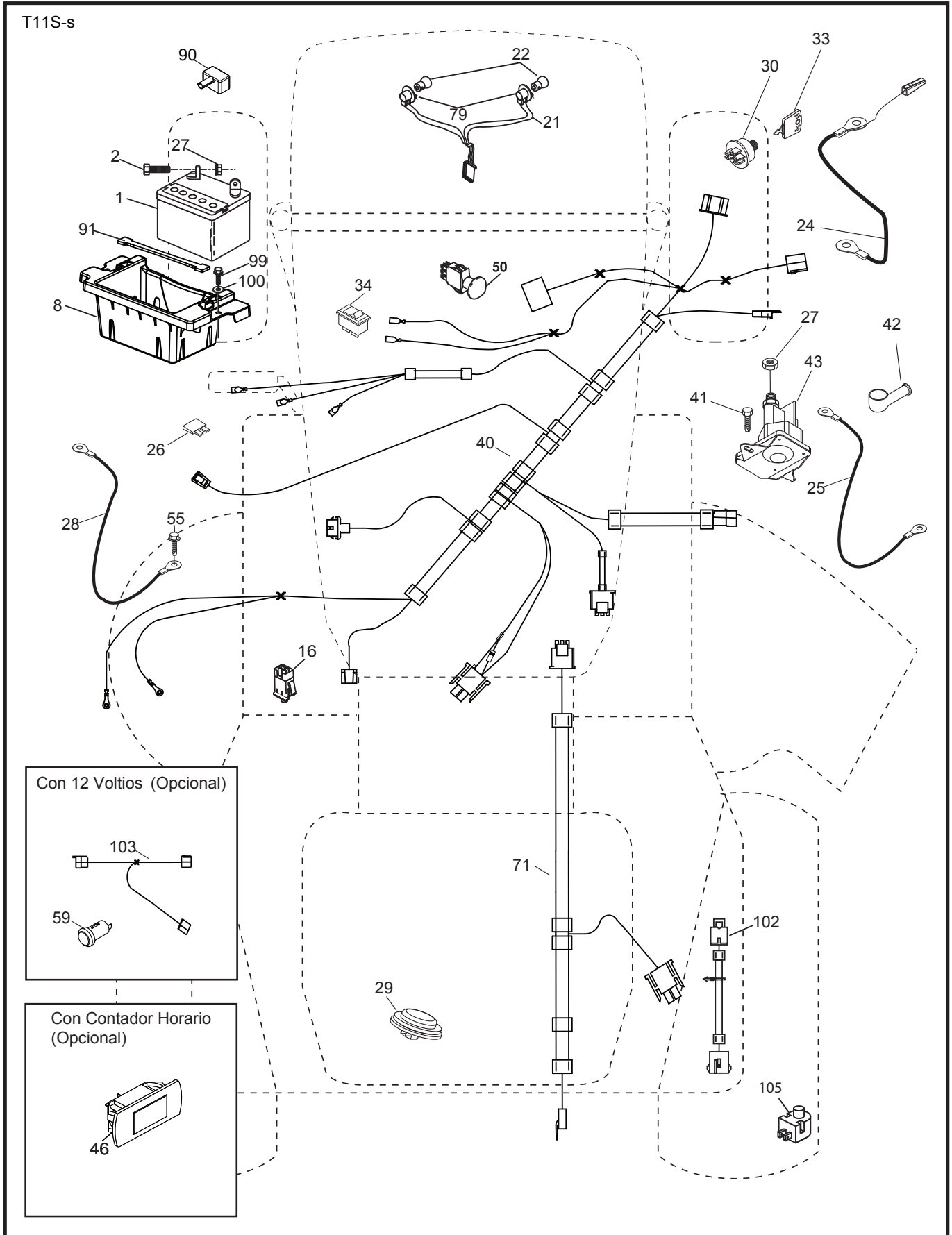
NOTE: All component dimensions given in U.S. inches
1 inch = 25.4 mm

TRACTOR - - MODELO NO. YTH26V54 (96043011102), PRODUCTO NO. 960 43 01-11 DIAGRAMA

SCH12-s



TRACTOR - - MODELO NO. YTH26V54 (96043011102), PRODUCTO NO. 960 43 01-11
DIAGRAMA ELÉCTRICO

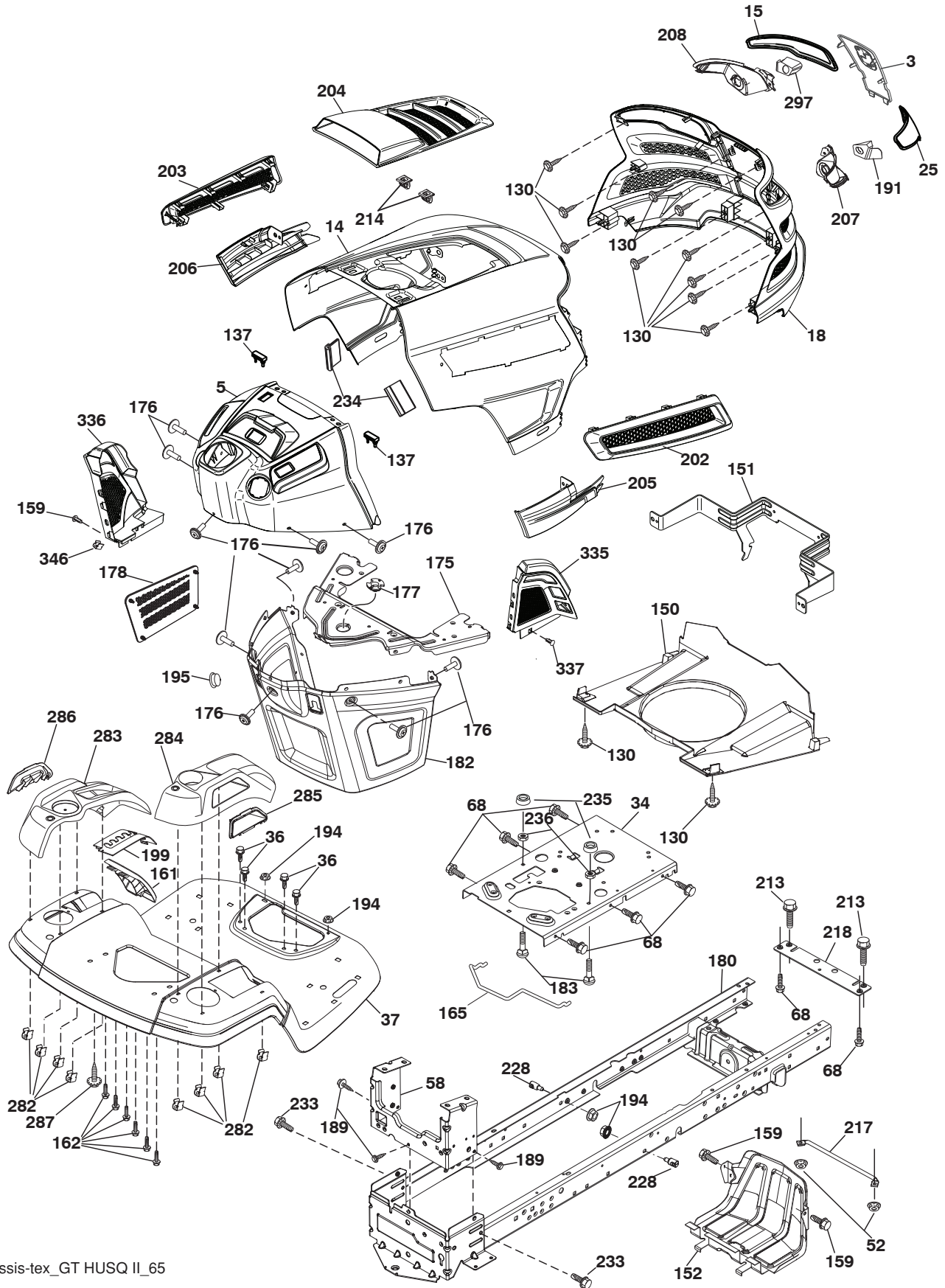


**TRACTOR - - MODELO NO. YTH26V54 (96043011102), PRODUCTO NO. 960 43 01-11
DIAGRAMA ELÉCTRICO**

CÓDIGO PIEZA		DESCRIPCIÓN
No.	No.	
1	532 16 34-65	Batería
2	874 76 04-12	Perno 1/4-20 x 3/4
8	532 18 64-91	Puerta de la caja de la batería
16	532 17 61-38	Interruptor
21	532 40 02-52	Arnés con 4152j
22	532 00 41-52	Luz
24	532 40 02-53	Cable de batería
25	532 41 28-95	Cable
26	532 17 51-58	Fusible
27	873 51 04-00	Seguridad 1/4-20 unc
28	532 14 54-91	Cable
29	532 40 15-45	Interruptor
30	532 19 33-50	Interruptor de ignición
33	532 41 19-33	Llave\cadena
34	532 11 07-12	Posición del interruptor de luz
40	532 40 11-04	Arnés
41	817 72 04-08	Tornillo 1/4-20 x 1/2
42	532 13 15-63	Cubierta
43	532 19 25-07	Solenóide
46	532 40 17-63	Dispositivo de aviso de servicio
50	532 17 46-51	Interruptor pto
55	817 06 05-12	Tornillo, 5/16-18 x 3/4 tytt
71	532 19 42-76	Arnés de ignición chasis
79	532 17 52-42	Enchufe de cierre por torsión del ensamble de la bombilla
90	532 43 53-95	Cubierta
91	532 19 02-70	Correa
99	817 67 04-12	Tornillo, 1/4-20 x 3/4
100	819 09 14-16	Arandela 9/32 x 7/8 x calibre 16
102	532 40 44-54	Arnés
105	532 40 75-68	Interruptor

NOTA: Las dimensiones de todos los componentes están expresadas en pulgadas americanas. 1 pulgada = 25,4 mm

TRACTOR - - MODELO NO. YTH26V54 (96043011102), PRODUCTO NO. 960 43 01-11
CHASIS



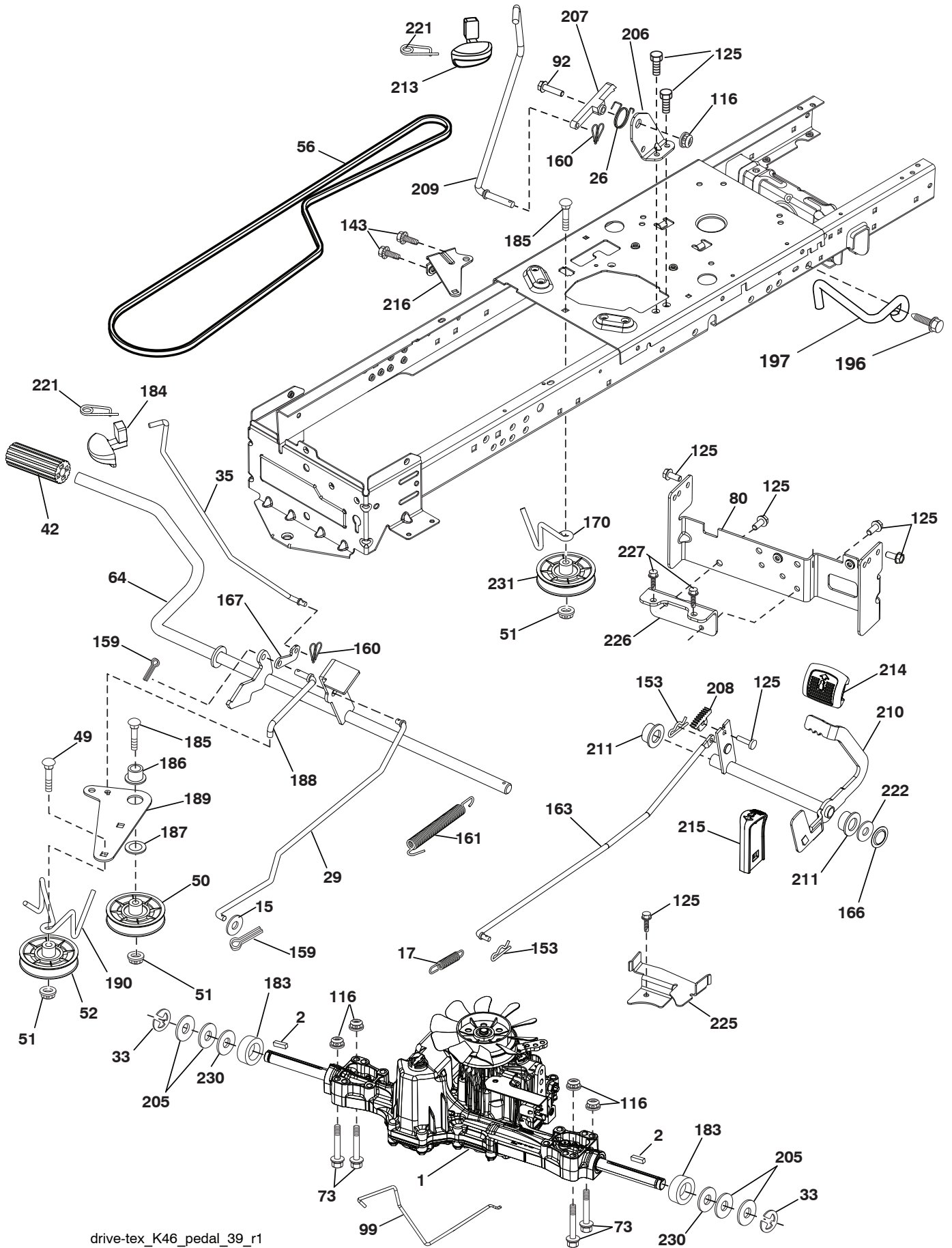
chassis-tex_GT HUSQ II_65

TRACTOR - - MODELO NO. YTH26V54 (96043011102), PRODUCTO NO. 960 43 01-11 CHASIS

CÓDIGO No.	PIEZA No.	DESCRIPCIÓN	CÓDIGO No.	PIEZA No.	DESCRIPCIÓN
3	532 43 97-52	Aplica submontaje	202	532 43 97-28	Salida de ventilación (LD)
5	532 43 74-71	Tablero	203	532 43 97-27	Salida de ventilación (LI)
14	532 44 11-77	Capota	204	532 43 57-14	Salida de ventilación superior
15	532 43 97-33	Lente izquierdo de la parrilla	205	532 43 97-30	Camisa de Capota (LD)
18	532 43 77-62	Parrilla	206	532 43 97-29	Camisa de Capota (LI)
25	532 44 33-85	Lente derecho de la parrilla	207	532 43 97-34	Bezel (LD)
34	532 19 61-25	Chapa motor	208	532 43 97-35	Bezel (LI)
36	817 06 05-12	Tornillo 5/16-18 x 3/4	213	874 76 05-12	Perno 5/16-18 unc x 3/4
37	532 44 11-78	Guardabarros	214	532 19 91-45	Cierre
52	873 68 05-00	Tuerca 5/16-18	217	532 40 91-67	Varilla giratoria
58	532 41 22-86	Barra de Tracción	218	532 19 63-95	Tope
68	817 49 05-08	Tornillo 5/16-18 x 1/2	228	532 19 51-61	Sujetador del travesaño
130	532 41 63-58	Tornillo #10 x 0.750	233	532 19 65-39	Perno
137	532 40 75-90	Cubierta tablero	234	532 40 47-42	Cubierta Capota
150	532 43 97-74	Cubierta térmica del conducto	235	532 40 61-29	Separador del guardabarros
151	532 43 66-70	Soporte	236	873 93 05-00	Tuerca 5/16-18 unc
152	532 43 60-86	Protector contra oscurecimiento	282	532 41 41-10	Cierre
159	817 00 06-12	Tornillo 3/8-16 x 3/4	283	532 43 98-61	Ensamble de la consola de la Plataforma de elevación
161	532 43 97-81	Ventana	284	532 43 98-23	Ensamble de la consola
162	532 14 24-32	Tornillo	285	532 41 63-15	Parrilla consola (LD)
165	532 19 68-26	Soporte	286	532 41 63-17	Parrilla consola (LI)
175	532 19 63-04	Travesaño	287	817 60 04-06	Tornillo 1/4-20 x 3/8
176	532 40 07-76	Tornillo 10-24 x 5/8	297	532 43 74-56	Parrilla reflector (LI)
177	532 19 52-27	Buje de dirección	335	532 43 98-47	Cubierta (LD)
178	532 19 97-82	Carga la asamblea neta	336	532 44 53-09	Cubierta (LI)
180	532 41 50-63	Chasis	337	532 43 81-37	Clip del árbol de navidad
182	532 40 68-59	Tablero inferior	346	532 12 64-71	Clip del aislador
183	874 52 05-20	Perno 5/16-18 x 1-1/4			
189	817 00 05-12	Tornillo 5/16-18 x 3/4			
191	532 43 74-55	Parrilla reflector ld			
194	873 90 05-00	Tuerca 5/16-18			
195	532 40 41-37	Tapón			
199	532 41 34-85	Chapa			

NOTA: Las dimensiones de todos los componentes están expresadas en pulgadas americanas. 1 pulgada = 25,4 mm

TRACTOR - - MODELO NO. YTH26V54 (96043011102), PRODUCTO NO. 960 43 01-11
TRANSMISIÓN



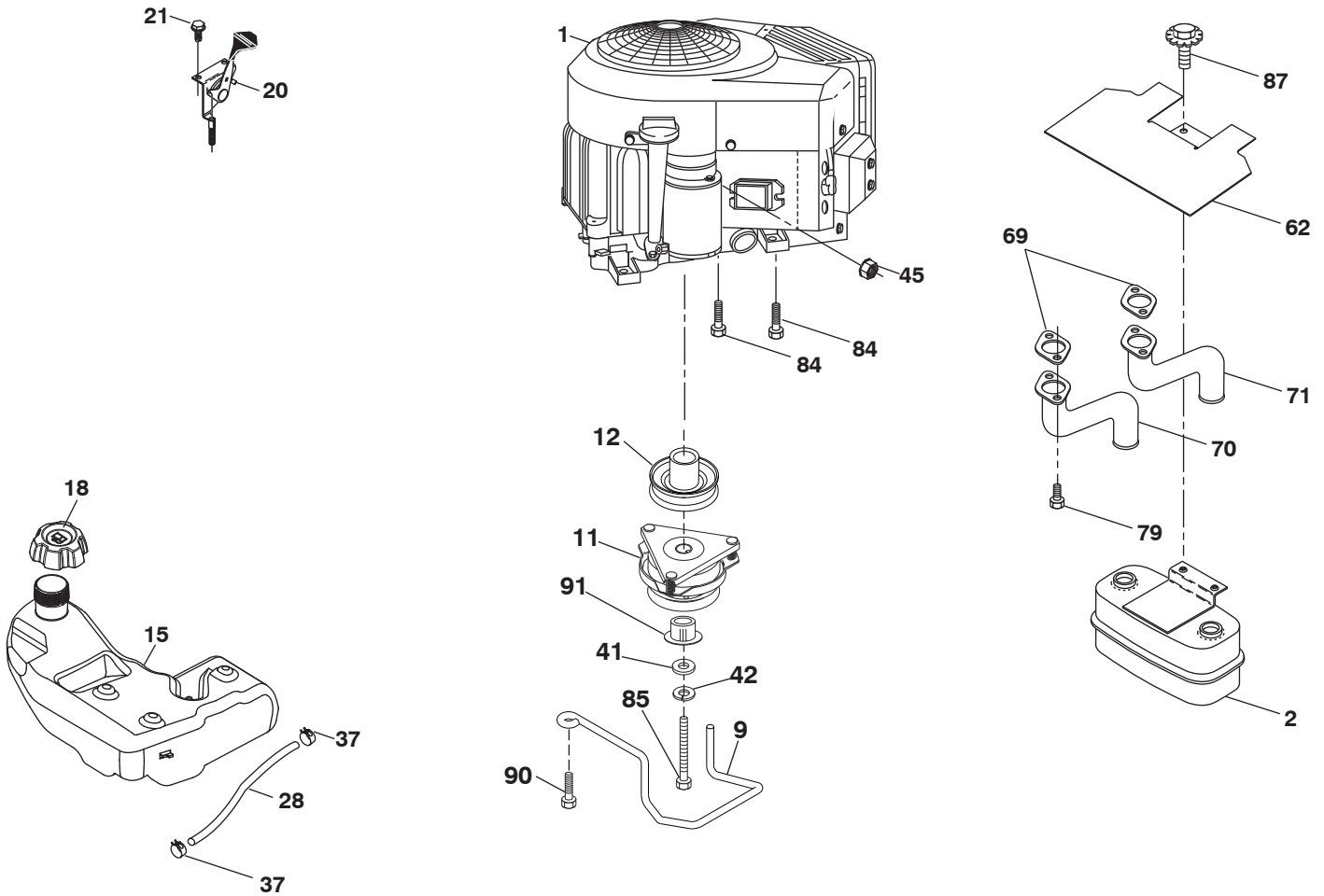
drive-tex_K46_pedal_39_r1

TRACTOR - - MODELO NO. YTH26V54 (96043011102), PRODUCTO NO. 960 43 01-11 TRANSMISIÓN

CÓDIGO No.	PIEZA No.	DESCRIPCIÓN	CÓDIGO No.	PIEZA No.	DESCRIPCIÓN
1	---	Transeje, TUFFTORQ K46 BT (426120) (Piezas internas no disponible)	186	532 19 43-21	Espaciador de retención
			187	819 13 32-10	Arandela
			188	532 19 43-23	Mecanismo de desplazamiento de la varilla de mando del embrague
2	532 12 35-83	Cuña	189	532 19 43-17	Palanca acodada del mecanismo de desplazamiento
15	819 13 13-16	Arandela 13/32 x 13/16 x calibre 16	190	532 19 43-18	Sujetador de la palanca acodada del mecanismo de desplazamiento
17	532 41 36-78	Resorte de freno	196	817 00 06-16	Tornillo 3/8-16 x 1
26	532 19 96-79	Crucero con retorno de muelle	197	532 19 58-04	Soporte
29	532 40 38-06	Varilla del freno	205	532 12 17-48	Arandela
33	812 00 00-01	Aro e	206	532 19 78-67	Soporte
35	532 43 54-86	Varilla del freno de mano	207	532 19 78-68	Bloqueo del control del crucero
42	532 12 48-72	Cubierta del pedal	208	532 19 78-69	Engranaje del sector de control del crucero
49	872 11 06-14	Perno	209	532 19 95-92	Varilla de control del crucero
50	532 19 43-27	Polea loca plana	210	532 40 09-80	Ensamble del balancín del control del pedal
51	873 90 06-00	Tuerca 3/8-16	211	532 12 01-83	Rodamiento de nylon
52	532 19 43-26	Polea loca con ranura en v con un desplazamiento de 910" (23 m)	213	532 40 31-19	Perilla de control del crucero
56	532 13 09-69	Correa trapezoidal de la transmisión	214	532 42 12-63	Forro del pedal para avanzar
64	532 19 78-65	Ensamble del eje control del pedal de freno	215	532 40 17-23	Forro del pedal para retroceder
73	874 49 05-40	Perno 5/16-18 x 2.1/2 G5	216	532 19 61-31	Soporte
80	532 44 06-19	Soporte de la correa de torsión	221	532 40 31-87	Abrazadera de retención del resorte de la manija
92	874 76 05-20	Perno 5/16-18 unc x 1.25	222	879 21 20-10	Arandela 21/32 x 1-1/4 x calibre 10
99	532 41 57-42	Varilla	225	532 40 33-19	Ensamble del sujetador de la correa del motor
116	873 90 05-00	Tuerca 5/16-18	226	532 40 15-64	Soporte
125	817 00 05-12	Tornillo 5/16-18 x 3/4	227	817 49 05-12	Tornillo 5/16-18 x 3/4
143	817 49 05-08	Tornillo 5/16-18 x 1/2	230	532 18 89-67	Arandela
153	532 12 47-88	Retén del resorte	231	532 40 72-87	Polea Loca con Ranura
159	876 02 04-12	Pasador de chaveta de 1/8 x 3/4			
160	532 16 94-84	Abrazadera de retención			
161	532 10 57-09	Resorte de retorno del embrague			
163	532 40 10-34	Varilla de control del pedal			
166	532 42 91-64	Tuerca			
167	532 40 52-57	Pestillo del freno de mano			
170	532 41 34-30	Sujetador de la correa central			
183	532 13 70-57	Espaciador			
184	532 44 14-55	Manija del freno de mano			
185	872 11 06-22	Perno 3/8-16 x 2-3/4 gr. 5			

NOTA: Las dimensiones de todos los componentes están expresadas en pulgadas americanas. 1 pulgada = 25,4 mm

TRACTOR - - MODELO NO. YTH26V54 (96043011102), PRODUCTO NO. 960 43 01-11
MOTOR



29

EQUIPO APAGACHISPAS

engine-tex_bs-2cyl_77

TRACTOR - - MODELO NO. YTH26V54 (96043011102), PRODUCTO NO. 960 43 01-11 MOTOR

CÓDIGO No.	PIEZA No.	DESCRIPCIÓN
1	- - - - -	Motor Briggs & Stratton modelo No. 44P777-2448-G1 ((438239) (Haga el pedido de las piezas al fabricante del motor)
2	532 14 97-23	Silenciador
9	532 19 43-20	Ensamble del sujetador de la correa del motor
11	532 40 00-08	Embrague
12	532 40 50-97	Polea del motor
15	532 43 80-80	Tanque de combustible
18	532 43 92-08	Ensamble de la tapa
20	532 42 35-02	Control del regulador/obturador
21	532 41 63-58	Tornillo #10 x .750
28	532 40 11-35	Línea de combustible
29	532 13 71-80	Equipo apagachispas
37	532 12 34-87	Abrazadera de la manguera
41	532 12 61-97	Arandela 1-1/2 OD x 15/32 ID x .250
42	810 04 07-00	Arandela 7/16
45	873 51 04-00	Tuerca 1/4-20 unc
62	532 43 40-17	Silenciador con pantalla térmica
69	532 16 53-91	Junta
70	532 15 99-55	Tubo de escape izquierdo
71	532 16 05-89	Tubo de escape derecho
79	532 18 39-06	Tornillo 5/16-18 x1
84	817 06 06-20	Tornillo 3/8-16 x 1-1/4
85	532 17 39-37	Perno 7/16-20 x 4 x Gr. 5-1.5 Thr
87	537 17 18-77	Perno 5/16-18 unc x 3/4 w/Sems
90	817 00 06-16	Tornillo 3/8-16 x 1
91	532 18 74-95	Buje
116	532 42 46-59	Perilla

NOTA: Las dimensiones de todos los componentes están expresadas en pulgadas americanas. 1 pulgada = 25,4 mm

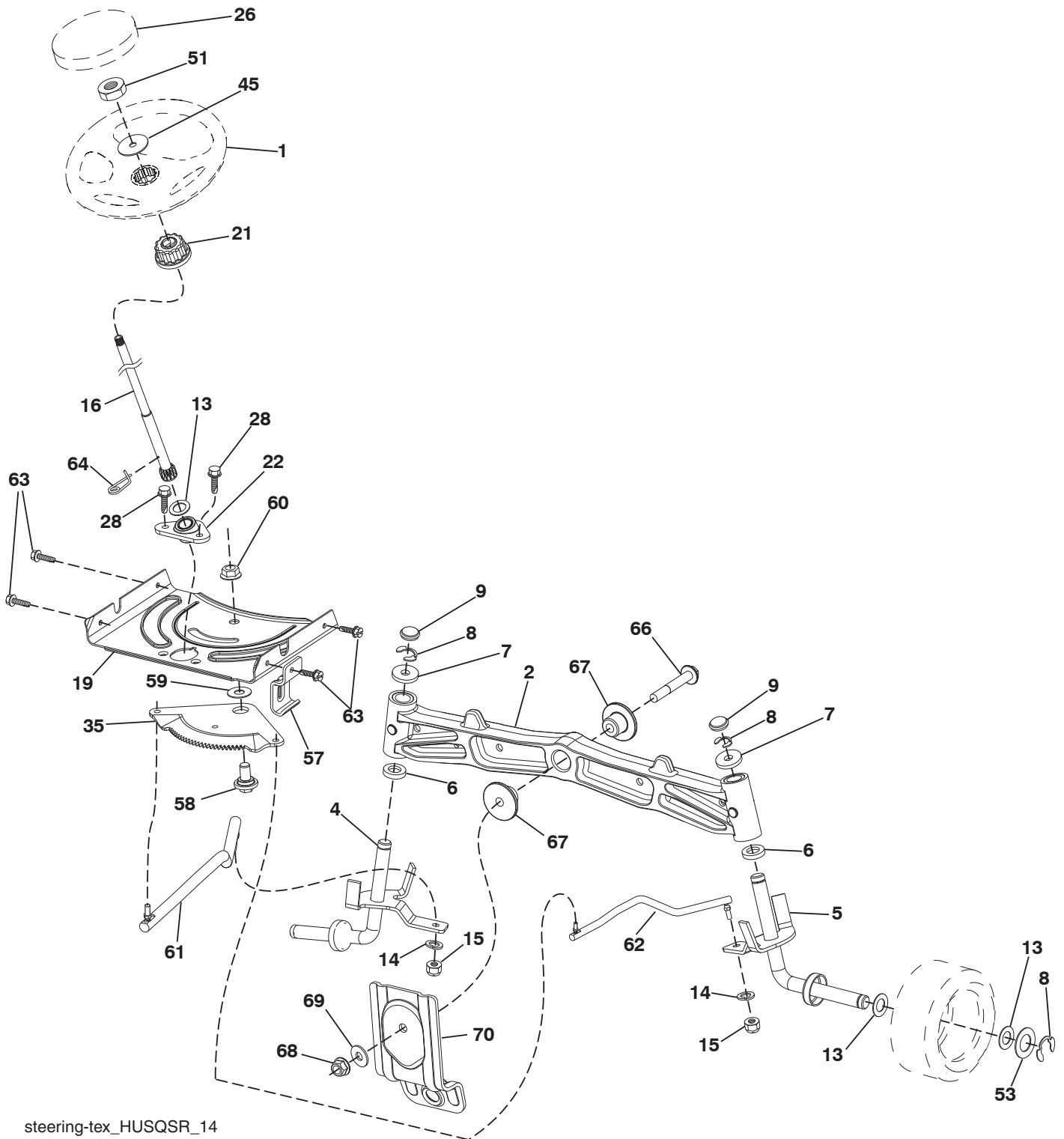
Para realizar el mantenimiento del motor y para obtener repuestos, llame al número gratuito del fabricante de su motor que se enumera a continuación:

Briggs & Stratton 1-800-233-3723

Información de Clasificación de Potencia del Motor

La clasificación de potencia para un modelo de motor a gas en particular se designa de acuerdo al código J1940 de SAE (Sociedad de Ingenieros Automotrices) (Procedimiento de Clasificación de Potencia & Torque del Motor Pequeño), y la clasificación de desempeño ha sido obtenida y corregida de acuerdo con el código J1995 de SAE (Revisión 2002-05). Los valores de torque se obtienen a 3060 RPM; los valores de potencia se obtienen a 3600 RPM. La potencia bruta actual del motor será inferior y está afectada, entre otras cosas, por las condiciones ambientales operativas y la variabilidad de motor a motor. Dado ambos un amplio conjunto de productos en los cuales son puestos nuestros motores, y la variedad de emisiones ambientales aplicables al operar el equipo, el motor a gas no desarrollará la potencia nominal cuando sea usado en una parte del equipo acoplado (potencia real "en el-sitio" o potencia neta). Esta diferencia se debe a una variedad de factores que incluyen, pero que no están limitados a, accesorios (filtro de aire, sistema de escape, sistema de carga, sistema de enfriamiento, carburador, bomba de combustible, etc.) limitaciones de la aplicación, condiciones ambientales de operación (temperatura, humedad, altitud), y la variabilidad de motor a motor. Debido a las limitaciones, Briggs & Stratton puede sustituir este motor con clasificación de potencia más alta por esta serie de motor.

TRACTOR - - MODELO NO. YTH26V54 (96043011102), PRODUCTO NO. 960 43 01-11
ENSAMBLE DE LA DIRECCIÓN



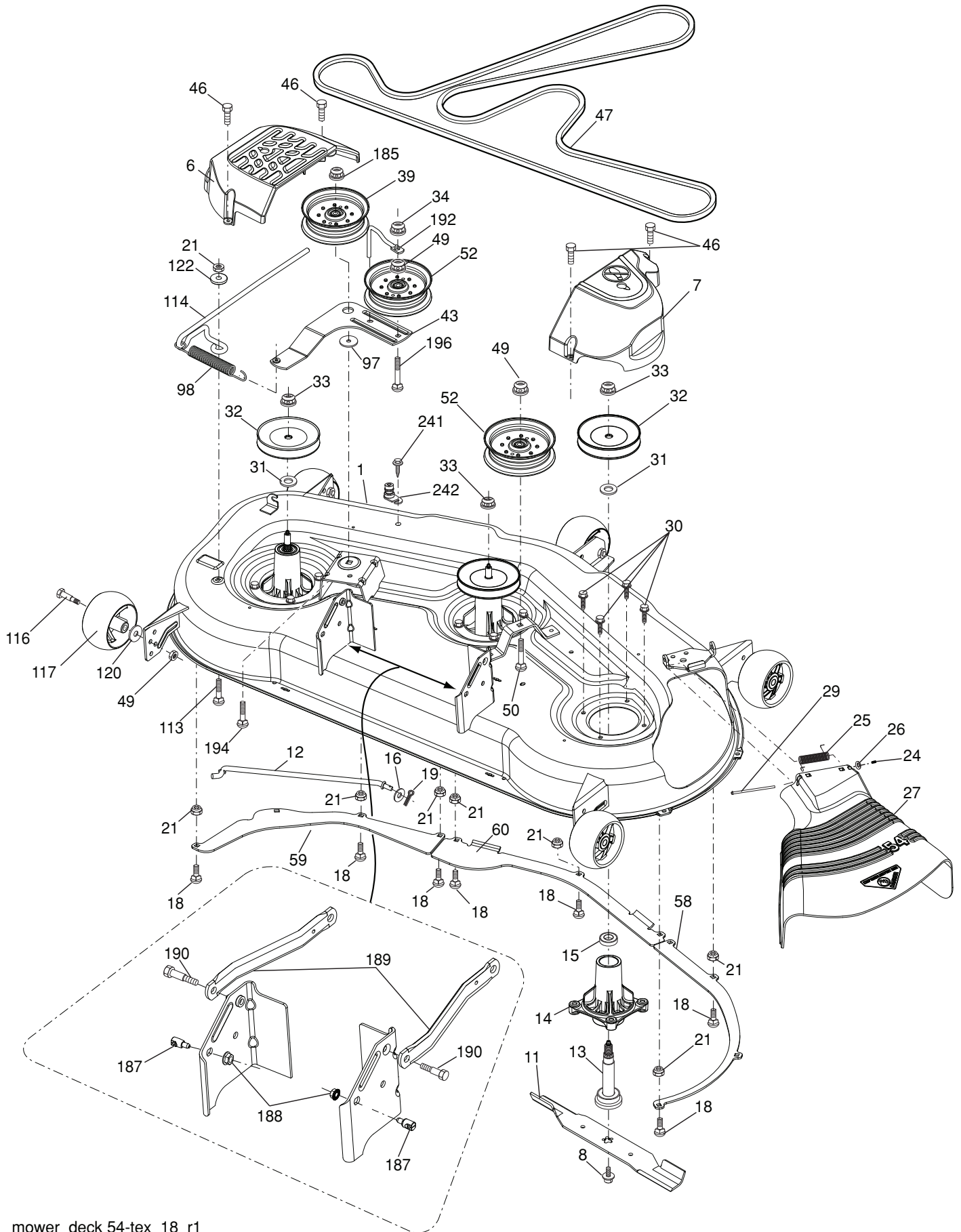
steering-tex_HUSQSR_14

**TRACTOR - - MODELO NO. YTH26V54 (96043011102), PRODUCTO NO. 960 43 01-11
ENSAMBLE DE LA DIRECCIÓN**

CÓDIGO PIEZA		DESCRIPCIÓN
No.	No.	
1	532 43 97-40	Volante de dirección
2	532 19 59-68	Ensamble del eje delantero
4	532 40 30-87	Ensamble del husillo izquierdo
5	532 40 30-88	Ensamble del husillo derecho
6	532 12 49-31	Beju
7	532 12 17-48	Arandela 25/32 x 1-5/8 x calibre 16
8	812 00 00-29	Abrazadera del aro No. T5304-75
9	532 12 12-32	Tapa del husillo
13	532 12 17-49	Arandela 25/32 x 1-1/4 x calibre 16
14	810 04 06-00	Arandela 3/8
15	873 54 06-00	Tuerca 3/8-24 unf
16	532 40 82-19	Eje de dirección
19	532 19 47-29	Placa de dirección
21	532 18 67-37	Adaptador del volante de dirección
22	532 42 05-37	Soporte
26	532 43 97-43	Inserto del volante de dirección
28	817 00 06-12	Tornillo 3/8-16 x 3/4
35	532 19 47-32	Engranaje del sector de la placa
45	819 18 38-12	Arandela 9/16 ID x 2-3/8 OD calibre 12
51	873 94 08-00	Tuerca 1/2-20 unf
53	532 18 89-67	Arandela .793 x 1.637 x .060
57	532 40 74-65	Soporte
58	532 19 47-47	Perno
59	532 19 47-48	Arandela
60	873 97 10-00	Tuerca 5/8-11
61	532 19 47-40	Barra de acoplamiento izquierda
62	532 19 47-41	Barra de acoplamiento derecha
63	817 00 05-12	Tornillo 5/16-18 x 3/4
64	532 19 98-49	Abrazadera de retención del resorte de la dirección
66	871 02 07-48	Perno 7/16-14 x 3 Serr
67	532 19 47-37	Beju
68	873 90 07-00	Tuerca 7/16-14 Gr. 5
69	532 19 91-62	Arandela 1.5 x .505 x .118
70	532 19 61-97	Soporte de la plataforma delantera

NOTA: Las dimensiones de todos los componentes están expresadas en pulgadas americanas. 1 pulgada = 25,4 mm

**TRACTOR - - MODELO NO. YTH26V54 (96043011102), PRODUCTO NO. 960 43 01-11
PLATAFORMA DE LA CORTADORA DE CÉSPED**

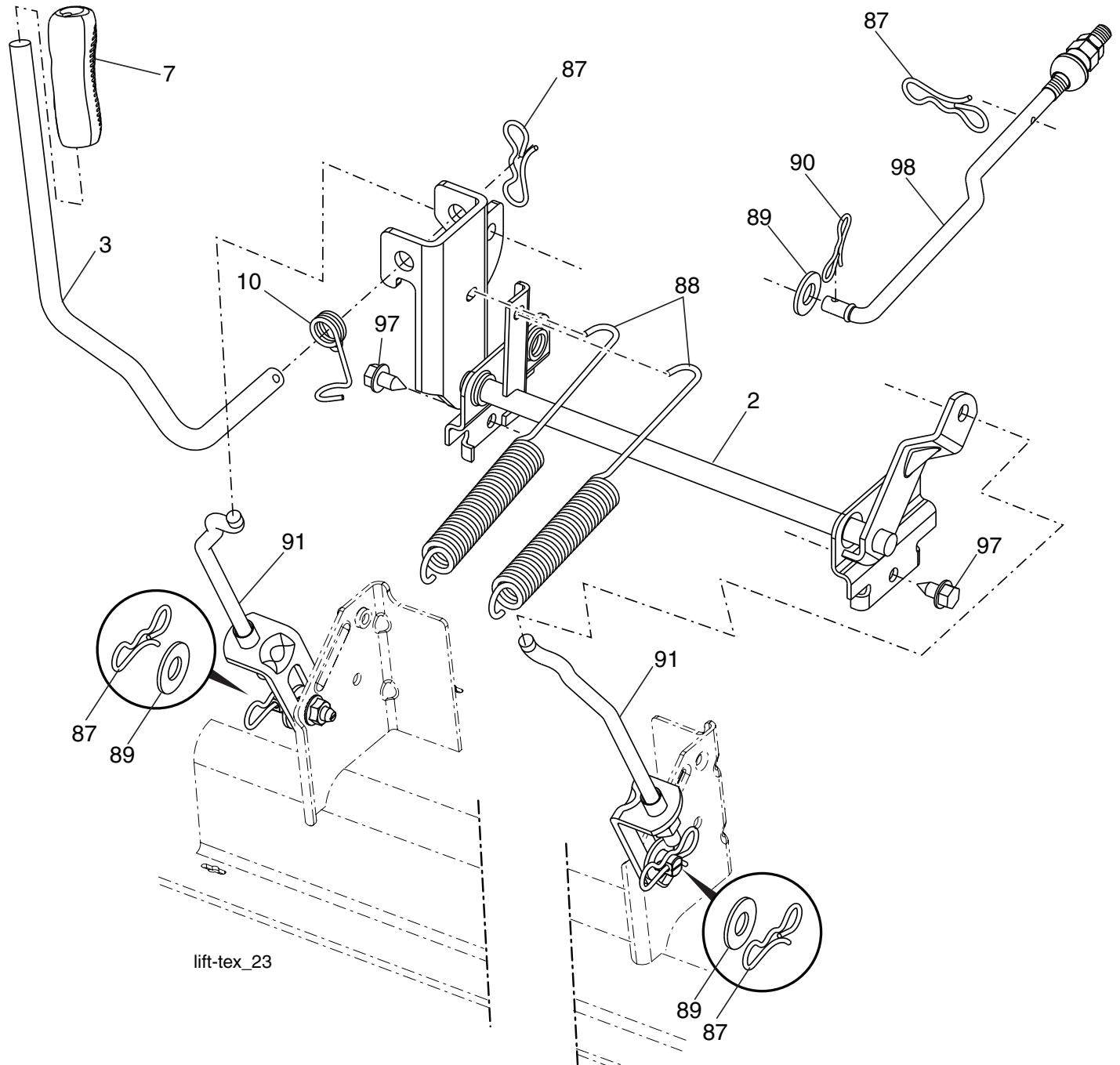


**TRACTOR - - MODELO NO. YTH26V54 (96043011102), PRODUCTO NO. 960 43 01-11
PLATAFORMA DE LA CORTADORA DE CÉSPED**

KEY NO.	PART NO.	DESCRIPTION	KEY NO.	PART NO.	DESCRIPTION
1	532 44 15-47	Conjunto segador	59	532 18 73-44	Torbellino de deflector (LD)
6	532 19 60-66	Cubierta izquierda del mandril (LI)	60	532 18 76-07	Torbellino de deflector
7	532 19 71-81	Cubierta izquierda del mandril (LD)	97	532 17 85-15	Arandela
8	532 19 30-03	Perno 7/16	98	532 19 61-05	Resorte
11	532 18 72-56	Cuchilla	113	872 11 05-08	Perno 5/16-18 unc x 1
12	532 40 48-51	Varilla	114	532 18 75-56	Varilla
13	532 18 72-91	Eje	116	532 19 34-06	Perno con Resalto
14	532 18 72-81	Carcasa del mandril	117	532 17 48-73	Rueda Calibradora
16	819 13 13-12	Arandela 3/8	120	819 13 20-12	Arandela, 13/32 x 1-1/4 x 12 Ga.
15	532 11 04-85	Rodamiento de bolas del mandril	122	532 18 75-57	Buje
18	872 14 05-05	Perno de Acarreo 5/16-18 x 5/8	185	873 90 07-00	Tuerca de Presión Hexagonal con Brida de 7/16-14 Gr. 5
19	532 19 42-08	Pasador de Chaveta de 5/16	187	532 19 51-61	Sujetador del Travesaño
21	873 68 05-00	Tuerca de Seguridad de Brida 5/16-18	188	873 90 05-00	Tuerca de Presión Hexagonal con Brida de 5/16-18
24	532 10 53-04	Tapa de la Manga	189	532 19 51-85	Brazo de la Suspensión
25	532 17 81-02	Resorte de Torsión	190	532 19 65-39	Perno con Resalto
26	532 11 04-52	Tuerca	192	532 19 84-68	Sujetador de la Correa
27	532 18 89-38	Protector del Deflector	194	874 49 07-36	Perno de Cabeza Hexagonal de 7/16-24
29	532 13 14-91	Varilla de Articulación	196	872 14 06-20	Perno 3/8-16 x 2-1/2 Gr. 5
30	532 17 39-84	Tornillo con Cabeza de Arandela	241	532 15 29-27	Tornillo TT #10-32.5. 3/8
31	532 18 76-90	Arandela del Separador	242	532 41 55-98	Puerto De Lavado De La Cubierta
32	532 15 35-35	Polea del Mandril	--	532 18 72-92	Ensamble del Mandril (solo incluye la carcasa, el ensamble del eje y el rodamiento; no incluye la polea/ tuerca/arandela ni los pernos/ arandelas de la cuchilla)
33	532 40 02-34	Tuerca de Presión Con Brida	--	532 19 93-00	Reemplazo de la cortadora de césped, completa
34	873 68 06-00	Tuerca corona de Presión de 3/8- 16			
39	532 19 73-80	Polea Loca 4.50			
43	532 19 60-65	Brazo de la Polea			
46	532 13 77-29	Tornillo 1/4-20 x 5/8			
47	532 19 61-03	Correa			
49	873 90 06-00	Tuerca de Presión Hexagonal con Brida de 3/8-16			
50	872 11 06-16	Perno 3/8-16 x 2			
52	532 19 73-79	Polea loca primaria			
58	532 18 73-42	Torbellino de deflector (LI)			

NOTE: All component dimensions given in U.S. inches
1 inch = 25.4 mm

**TRACTOR - - MODELO NO. YTH26V54 (96043011102), PRODUCTO NO. 960 43 01-11
ELEVACIÓN DE LA CORTADORA DE CÉSPED**



lift-tex_23

**CÓDIGO PIEZA
No. No.**

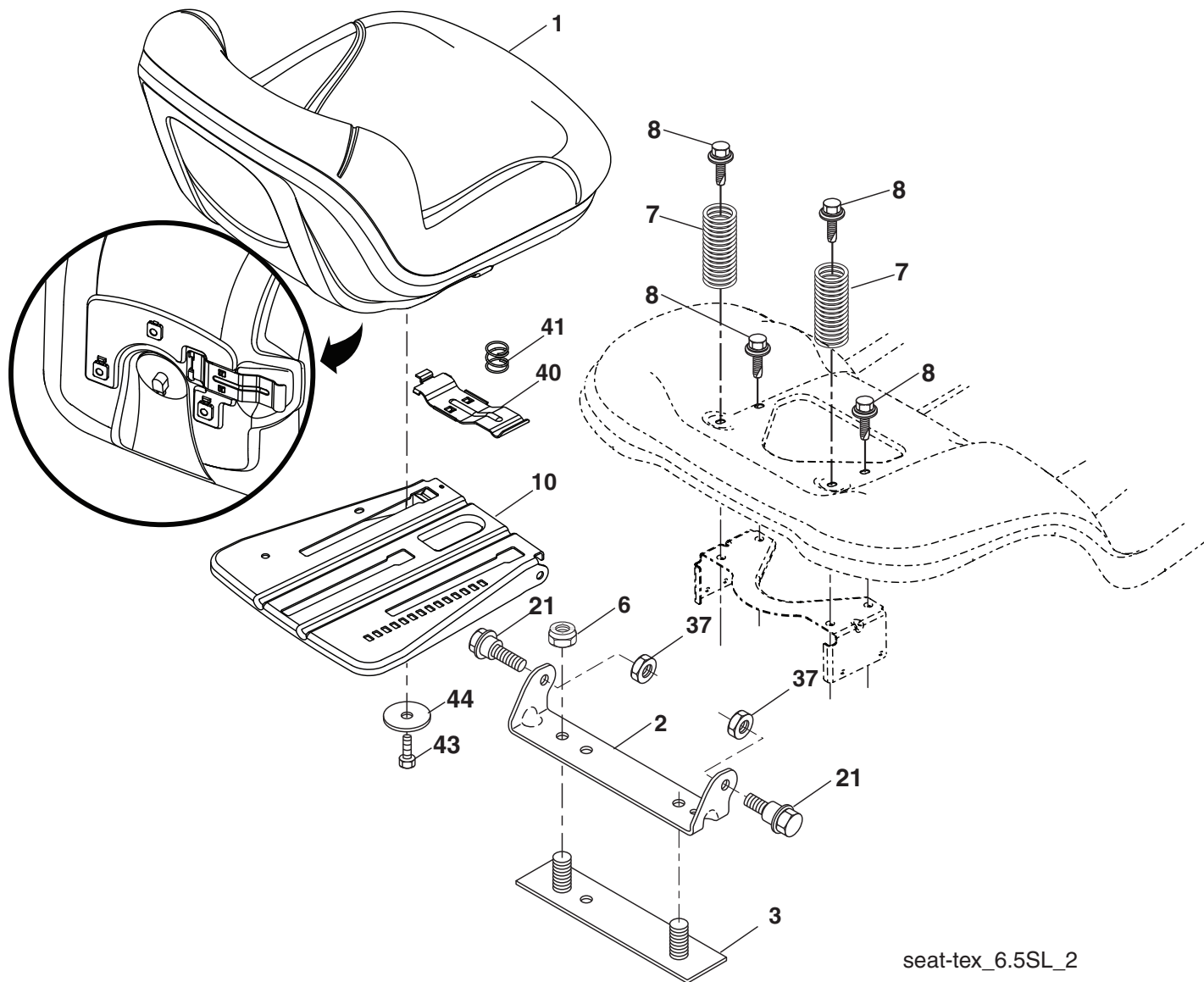
CÓDIGO No.	PIEZA No.	DESCRIPCIÓN
2	532 42 20-27	Ensamble del eje de la elevación
3	532 19 52-31	Ensamble de la palanca de elevación derecha
7	532 41 15-55	Mango de la palanca
10	532 19 63-14	Resorte de torsión
87	532 19 42-09	Pasador de chaveta de 7/16 con bloqueo en forma de mariposa
88	532 41 07-10	Resorte de ayuda de la elevación
89	819 19 19-12	Arandela de zinc transparente

**CÓDIGO PIEZA
No. No.**

CÓDIGO No.	PIEZA No.	DESCRIPCIÓN
90	532 19 42-08	Pasador de chaveta de 5/16 con bloqueo en forma de mariposa
91	532 40 34-07	Ensamble del acoplamiento Elevación trasera
97	817 00 06-12	Tornillo 3/8-16 x 3/4
98	532 19 52-64	Acoplamiento frontal de la elevación de la cortadora de césped

NOTA: Las dimensiones de todos los componentes están expresadas en pulgadas americanas. 1 pulgada = 25,4 mm

**TRACTOR - - MODELO NO. YTH26V54 (96043011102), PRODUCTO NO. 960 43 01-11
ENSAMBLE DEL ASIENTO**

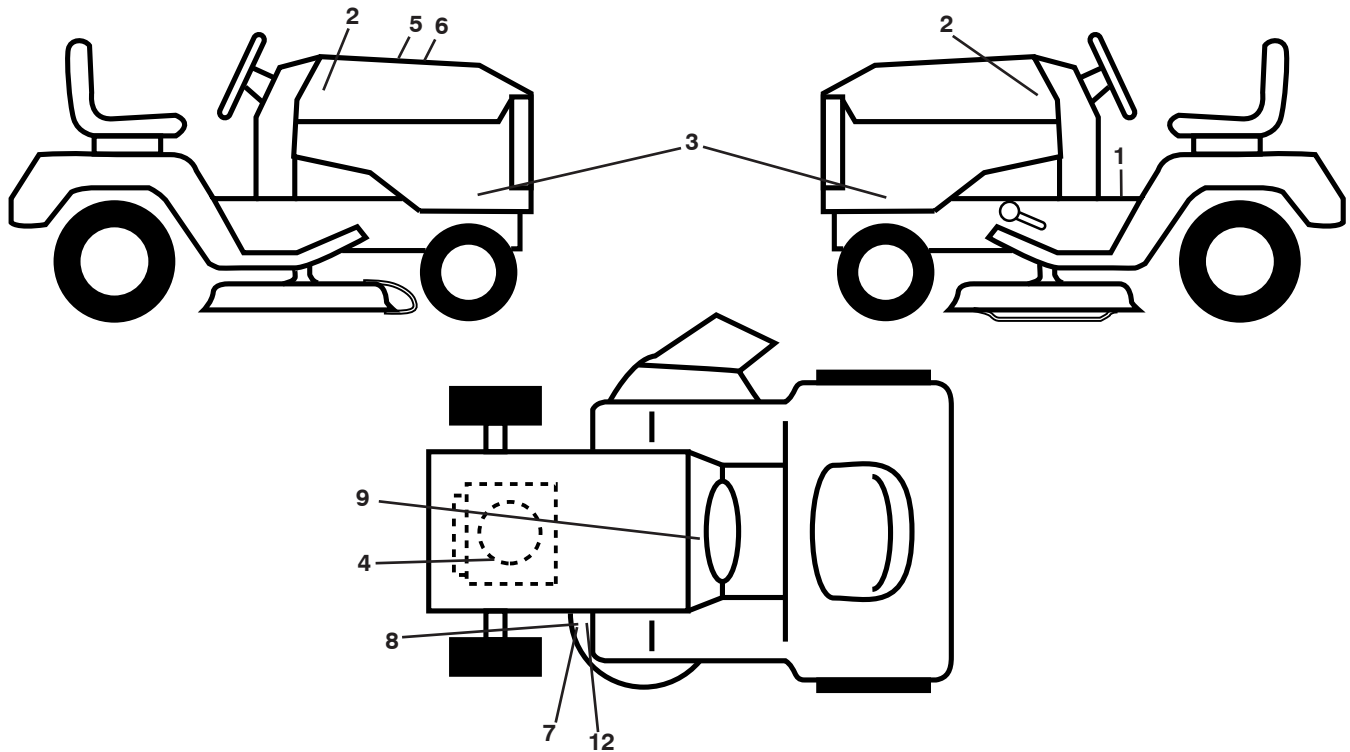


CÓDIGO PIEZA		DESCRIPCIÓN
No.	No.	
1	532 43 98-22	Asiento
2	532 18 01-66	Soporte pivotante del guardabarros
3	532 14 06-75	Conector del ensamble del guardabarros
6	873 80 06-00	Tuerca 3/8-16 unc
7	532 12 41-81	Resorte del asiento
8	532 17 18-77	Perno de 5/16" UNC x 3/4"
10	532 19 69-77	Bandeja del asiento
21	532 17 18-52	Perno de tope de 5/16-18

CÓDIGO PIEZA		DESCRIPCIÓN
No.	No.	
37	873 80 05-00	Tuerca 5/16-18 unc
40	532 19 76-61	Manija para deslizar el asiento
41	532 19 82-00	Resorte para trabar el asiento
43	874 76 06-12	Perno de cabeza hexagonal con aleta de 3/8-16 UNC x 3/4
44	819 13 38-12	Arandela 13/32 x 2-3/8 x calibre 12

NOTA: Las dimensiones de todos los componentes están expresadas en pulgadas americanas. 1 pulgada = 25,4 mm

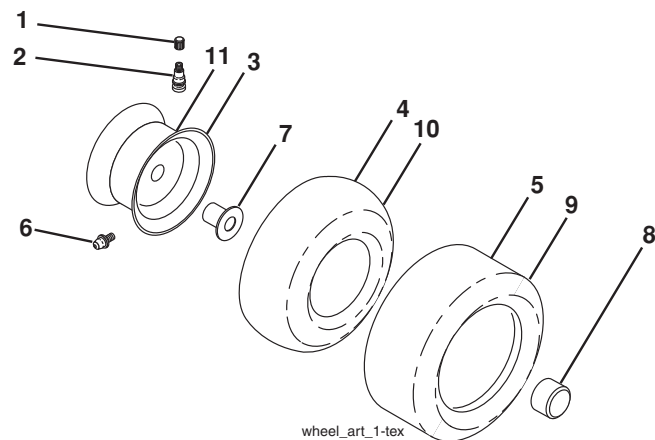
**TRACTOR - - MODELO NO. YTH26V54 (96043011102), PRODUCTO NO. 960 43 01-11
CALCOMANÍAS**



CÓDIGO No.	PIEZA No.	DESCRIPCIÓN	CÓDIGO No.	PIEZA No.	DESCRIPCIÓN
1	532 41 16-57	Calcomanía para el guardabarros del operador	12	532 19 87-85	Calcomanía del diagrama de la cortadora de césped
2	532 42 91-96	Calcomanía para el insignia	--	532 16 69-60	Calcomanía para la desviación
3	532 44 05-69	Calcomanía para el panel lateral	--	532 43 96-81	Forro del apoyo para los pies (LD)
4	532 43 50-97	Calcomanía para el Motor HP	--	532 43 96-82	Forro del apoyo para los pies (LI)
5	532 42 38-29	Calcomanía del cliente	--	532 44 55-22	Manual del Operario (INGLÉS/ESPAÑOL)
6	532 43 84-80	Calcomanía de reemplazo	--	532 44 55-23	Manual De Repuestos (INGLÉS/ESPAÑOL)
7	532 17 05-63	Calcomanía Precaución Tondeuse			
8	532 17 84-55	Calcomanía Precaución Tondeuse			
9	532 14 50-05	Calcomanía de Peligro/Punto de interconexión			

RUEDAS Y NEUMÁTICOS

CÓDIGO No.	PIEZA No.	DESCRIPCIÓN
1	532 05 91-92	Tapa de la válvula del neumático
2	532 06 51-39	Vástago de la válvula
3	532 13 83-36	Ensamble de las llantas delanteras
4	532 05 99-04	Cámara delantera
5	532 10 62-22	Neumático delantero 15 x 6.00-6
6	532 12 49-57	Accesorio para engrasar (solo para la rueda delantera)
7	532 12 49-59	Rodamiento de la brida (solo para la rueda delantera)
8	532 17 50-39	Tapa del eje 1 50 x 1 00
9	532 13 84-68	Neumático trasero 30 x 10.00-8
10	532 12 49-26	Cámara trasera (Mantenimiento sólo)
11	532 13 83-37	Ensamble trasero de la llanta
--	532 14 43-34	Sellador para neumáticos (tubo de 10 onzas [283 gr])



NOTA: Las dimensiones de todos los componentes están expresadas en pulgadas americanas. 1 pulgada = 25,4 mm

NOTES/AVISO

08/15/2011 CL